

Video Security

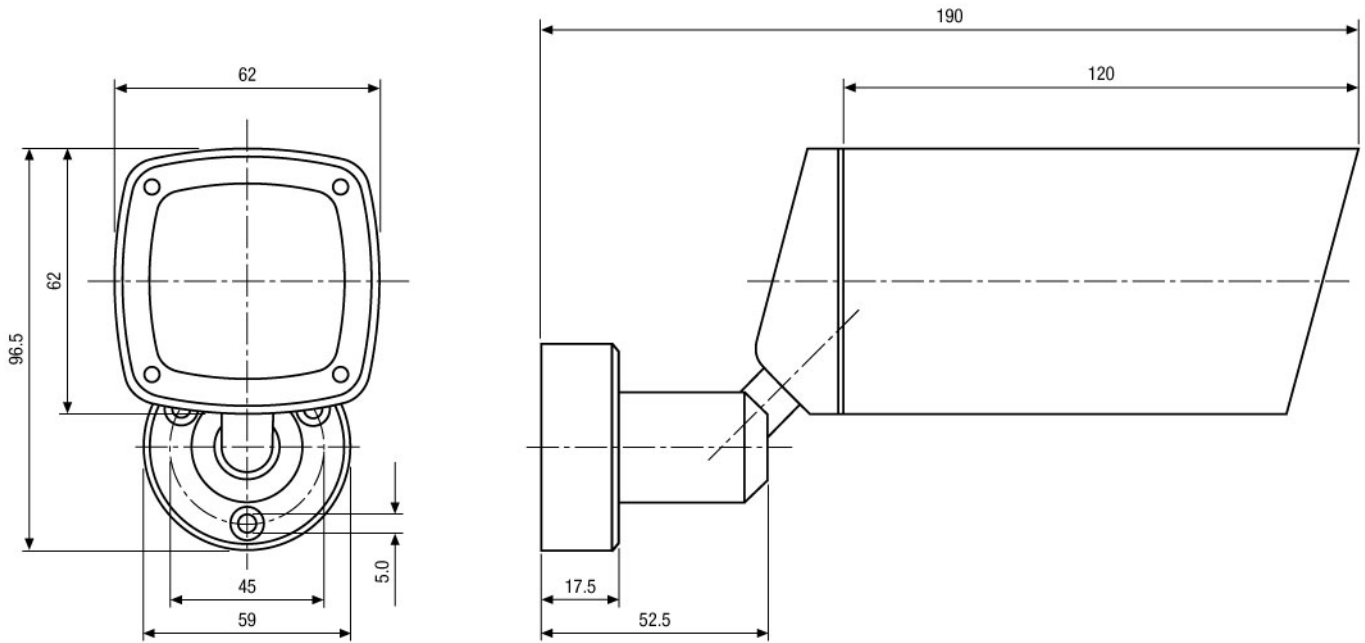


VKC-1327AW3-922
1/3" Day/Night Camera with F1.4/9-22mm
Lens, 12VDC/24VAC, 540TVL
Art-No. 96088



Features

Specifications



Maße/Dimensions: mm

Sicherheitssysteme Uebachs GmbH
 Your Contact: Fridtjof Uebachs
 Königsallee 22 · 40212 Düsseldorf
 Phone 0211-210744-0 · Fax 0211-210744-29
 technik@uebachs.de · www.uebachs.de

