

Video Security



VKC-1324A/W3

1/3" Colour Camera with F1.2/3.8-9.5mm
Lens, 12VDC, 540TVL

Art-No. 96087



Features

Weatherproof Camera with Swivel Head Bracket
1/3" Colour CCD Camera with Varifocal Lens
Built-in Lens F1.2/3.8-9.5mm with DC Iris Control
Sensitivity: 0.5Lux
Resolution of 540 Horizontal Lines
Digital Signal Processing (DSP)

Automatic Shutter Control (AES)
Back Light Compensation (BLC)
Supply Voltage: 12VDC
Fully Hidden Cable Routing
Protection Rating: IP67
Certified according to BGV Kassen

Specifications

Application range	security
System	Colour
Video standard	PAL
Sensor size	1/3"
Imager	Sony Super HAD Interline Transfer CCD, CCD
Active picture elements	approx. 440,000, 752(H) x 582(V)
Synchronization	Internal
Signal-to-noise ratio	48dB
Gamma correction	approx. 0.45
Sensitivity (at 50% video signal)	0,5Lux
Automatic shutter control (AES)	1/50 ~ 1/100,000sec.
Integration rate	no
Automatic gain control (AGC)	28dB (AGC OFF)
White balance (ATW)	2000 ~ 8000K, Automatic tracking
Backlight compensation	BLC, Center weighted
IR cut filter	no
Video outputs (type)	CVBS
Video outputs	1Vp-p, CVBS, 75ohms

VKC-1324A/W3

(Specifications continued)

Lens type	varifocal
Lens	F1.2/F2.0 ~ 360/3.8 ~ 9.5mm with galvanometer controlled iris
Lens mount	integrated lens
Mount	n/a
Nominal format size	1/3"
Aspherical technology	yes
Focal length	3,8-9,5mm
Horizontal angle of view	74,2-30°
Iris control	DC
Focus range	0.15m ~ ?
Serial interfaces	no
Cable connection	Wiring for video and voltage supply made, accessible from outside (1.5m long, Video: BNC jack 12/24V input: for DC plug 2.1/5.5mm)
Cable entry	Wiring for video and voltage supply made, accessible from outside
Kind of mounting	Integrated wall mount with ball joint
Mounting	Wall or Ceiling*)
Protection rating	IP67
Supply voltage	12VDC, (9 ~ 18VDC)
Power consumption	3.0watts max.
Temperature range (Operation)	-20°C ~ +50°C
Housing material	aluminium
Housing	outdoor housing, Aluminium with clear polycarbonate window
Integrated wall mount	yes
Hidden cable management	yes
Window screen	PC (Lexan)
Heater/sunshield	No
Sunshield	no
Window heater	no
Hidden Cable Management Support	Supplied
Clear Shield	no
Colour (housing)	Pantone 7541
Weight	approx. 680g
Weight (w./o. wall bracket)	280g
Parts supplied	Camera, Manual, "Easy installation" adapter cable, Heat shrink tube

Accessories**70447 / VT-PS12DC-5**

Plug-in Power Supply Unit 100-240VAC 12VDC (1.0Amp), Regulated, with DC Plug

77773 / VT-PS12DCDT1

PSU 12VDC/1.0A, Regulated, Desktop Version, 1.8m Cables each w. open ends

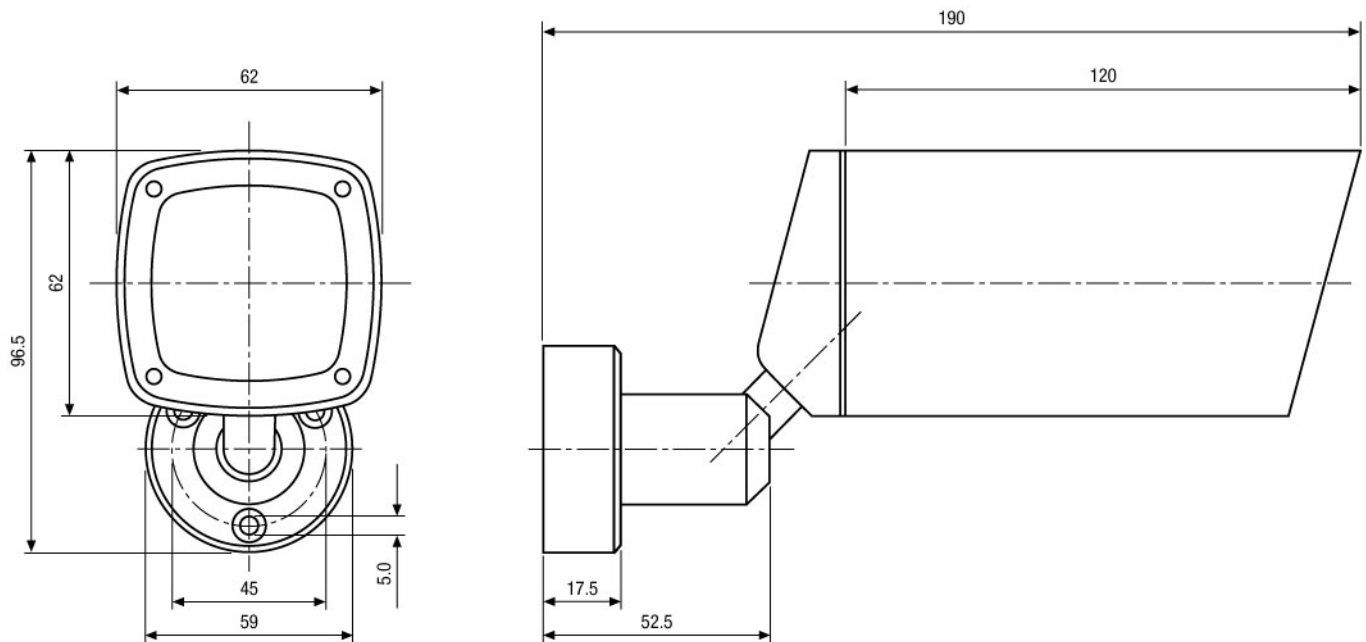
(Accessories continued)

88148 / W3 INST-KIT1

Installation Kit for W3 Housings: Mount Adapter, Decoration Plate, Screw Set

Product Information

*) For ceiling installation please contact Videor Technical in advance. They will modify the camera before shipping.



Maße/Dimensions: mm

Sicherheitssysteme Uebachs GmbH
 Your Contact: Fridtjof Uebachs
 Königsallee 22 · 40212 Düsseldorf
 Phone 0211-210744-0 · Fax 0211-210744-29
 technik@uebachs.de · www.uebachs.de

