

Video Security



VKC-1339/W3

1/3" Colour Camera with F1.5/4-9mm Lens,
12VDC, 330TVL

Art-No. 96070



Features

Weatherproof Camera with Swivel Head Bracket
1/3" Super HAD CCD
Resolution of 330 Horizontal Lines
Sensitivity of 0.38Lux (at F1.2)
Built-in Lens F1.5/4-9mm with DC Iris Control
Digital Signal Processing (DSP)

Automatic Shutter Control (AES)
Automatic Gain Control (AGC)
Backlight Compensation (BLC)
Automatic White Balance (ATW)
Supply Voltage: 12VDC
Hidden Cable Routing / Protection Rating: IP67

Specifications

Application range	security
System	Colour
Video standard	PAL
Sensor size	1/3"
Imager	Sony Super HAD Interline Transfer CCD, CCD
Active picture elements	approx. 290,000, 500(H) x 582(V)
Synchronization	Internal
Signal-to-noise ratio	48dB
Sensitivity (at 50% video signal)	0,38Lux, at F1.2 (VT measurement result)
High-speed shutter (ESC)	1/50 ~ 1/100,000sec.
Integration rate	no
Automatic gain control (AGC)	Included
White balance (AWB)	Automatic control
Backlight compensation	BLC, Automatic control
Aperture Correction (APC)	Horizontal and vertical
IR cut filter	Low-Pass Filter, no
Internal adjustments	Zoom and Focus on Varifocal lens
Video outputs (type)	CVBS

VKC-1339/W3

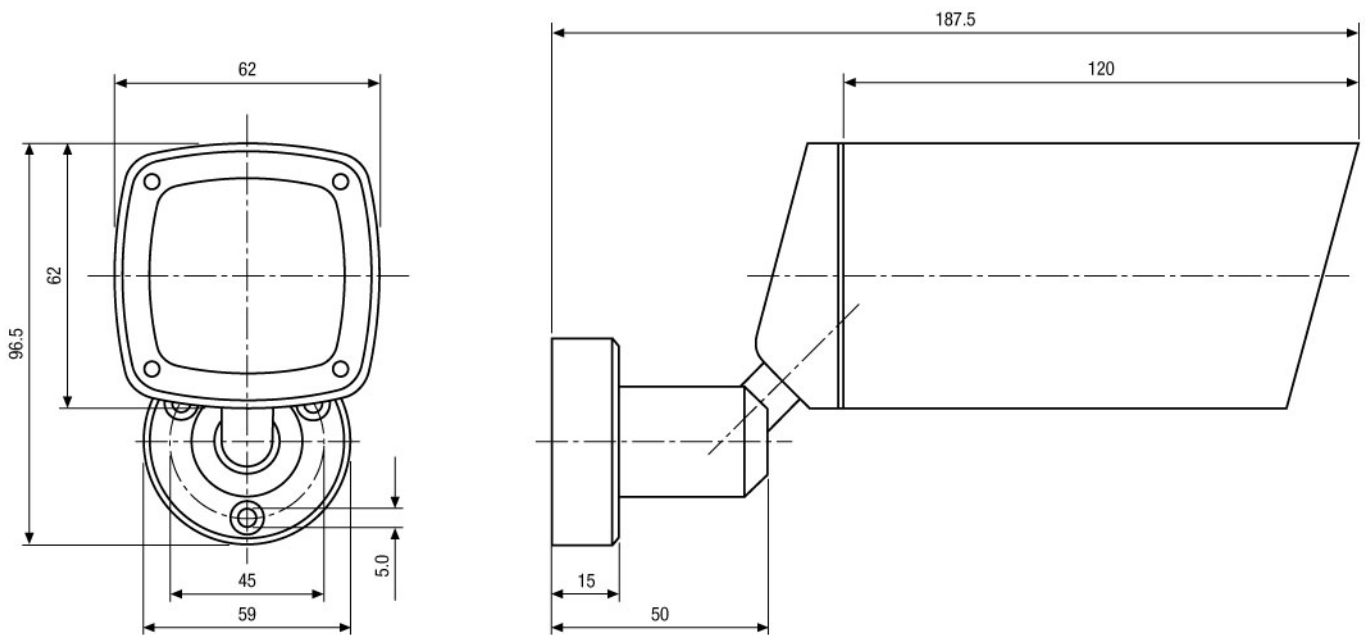
(Specifications continued)

Video outputs	1Vp-p, CVBS, 75ohms
Lens type	varifocal
Lens	F1.5 ~ F300/4 ~ 9mm with galvanometer driven iris
Lens mount	integrated lens
Mount	n/a
Nominal format size	1/3"
Aspherical technology	no
Focal length	4-9mm
Horizontal angle of view	70-31,5°
Iris control	DC
Serial interfaces	no
Cable connection	Wiring for video and voltage supply made, accessible from outside (1.5m long, Video: BNC jack 12/24V input: for DC plug 2.1/5.5mm)
Kind of mounting	Integrated wall mount with ball joint
Mounting	Wall or Ceiling*)
Protection rating	IP67
Supply voltage	12VDC, (9 ~ 15VDC), 12VDC ±0,5V recommended
Power consumption	approx. 1.8watts
Temperature range (Operation)	-10° ~ +50°C
Housing material	aluminium
Housing	outdoor housing, Aluminium with clear polycarbonate window
Integrated wall mount	yes
Hidden cable management	yes
Window screen	PC (Lexan)
Sunshield	no
Window heater	no
Hidden Cable Management Support	Supplied
Clear Shield	no
Colour (housing)	Pantone 7541
Dimensions (HxWxD)	See drawing
Weight	approx. 680g

Accessories

70447 / VT-PS12DC-5	Plug-in Power Supply Unit 100-240VAC 12VDC (1.0Amp), Regulated, with DC Plug
77773 / VT-PS12DCDT1	PSU 12VDC/1.0A, Regulated, Desktop Version, 1.8m Cables each w. open ends
88148 / W3 INST-KIT1	Installation Kit for W3 Housings: Mount Adapter, Decoration Plate, Screw Set

*) For ceiling installation please contact Videor Technical in advance. They will modify the camera before shipping.



Maße/Dimensions: mm

Sicherheitssysteme Uebachs GmbH
Your Contact: Fridtjof Uebachs
Königsallee 22 · 40212 Düsseldorf
Phone 0211-210744-0 · Fax 0211-210744-29
technik@uebachs.de · www.uebachs.de

