

Video Security



VKC-1334/W3

1/3" Day&Night WDR Camera with Removable IR CF, F1.3/3.8-9.5mm, 480TVL, 12VDC

Art-No. 96069



Features

Weatherproof Camera with Swivel Head Bracket
1/3" Progressive Scan CCD Day&Night Camera
Wide Dynamic Range (WDR)
Resolution of 480 Horizontal Lines (at Colour)
Sensitivity of 0.001Lux/F1.2 (160x DSS/B&W)
On-screen Menu Control / Camera Titel Display

Removable IR Cut Filter
Automatic Gain Control (AGC)
High and Low Speed Shutter Control (ESC/DSS)
Automatic White Balance (ATW/AWB)
3x Digital Zoom / 4 Privacy Zones adjustable
Hidden Cable Routing / Protection Rating: IP67

Specifications

Video standard	CCIR/PAL
System	day&night
Sensor size	1/3"
Imager	CCD, Sony Progressive Scan
Active picture elements	approx. 470,000, 800(H) x 582(V)
Synchronization	Internal
Signal-to-noise ratio	50dB (AGC OFF)
Sensitivity (at 50% video signal)	0,25Lux, (colour), 0.15Lux at B&W (AGC High). DSS 160x: 0.0016Lux (colour), 0.001Lux (b&w). VT measurement result at F1.2
Automatic shutter control (AES)	1/50 ~ 1/10,000sec.
Low speed shutter (DSS)	DSS: OFF / 2 ~ 20 Fps / 40 Fps / 80 Fps / 160 Fps mode
Integration rate	yes
Wide dynamic range	Automatic, ON/OFF switchable
Automatic gain control (AGC)	OFF / Low / Mid / High selectable
Backlight compensation	no, WDR
White balance (AWB)	Automatic/Manual/Hold

(Specifications continued)

IR cut filter	yes, Motorized, switchable filter. Automatic function (CDS controlled) or manual. In removed filter position, the colour signal will, be switched OFF
Privacy Zone masking	4 Areas selectable
OSD function control	Main menu: Camera-ID no., Camera title/text, Colour/B&W switching, Scharpness, Mirror function, Positive/Negative switching. AWB: White balance red/blue, automatic. AE: Brightness, Flickerless, High speed shutter, Low speed shutter (DSS), AGC. Day&Night modes (Auto, Day, Night, external), IR Filter (Brightness level, delay). WDR: Mode, BLC. Privacy Zones: Area, Masking, X/Y start/end. Display: OSD, Function display ON/OFF. Initial: Camera settings ON/OFF
Lens	F1.2/3.8 ~ 9.5mm with galvanometer driven iris
Lens mount	integrated lens
Digital Zoom	3x
Minimum object distance (MOD)	0.15m (at f3.8mm)
Cable connection	Wiring for video, voltage supply, RS-485, accessible from outside (1.5m long, Video: BNC jack 12V input, RS-485: open ends)
Video outputs (type)	CVBS, VBS
Video outputs	1Vp-p, (C)VBS, 75ohms, BNC
Internal adjustments	-
Serial interfaces	RS-485, Protocols: Pelco D and Eneo control Software (details upon request)
Housing	Aluminium with clear polycarbonate window, outdoor housing
Window screen	PC (Lexan)
Hidden Cable Management Support	Supplied
Mounting	Wall or Ceiling*)
Kind of mounting	Integrated wall mount with ball joint
Supply voltage	12VDC, (10 ~15V), 12VDC ±0,5V recommended
Power consumption	3.6watts max.
Temperature range (Operation)	-10° ~ +50°C
Dimensions (HxWxD)	See drawing
Weight	aprox. 700g
Parts supplied	Camera, Manual
Application range	security
Lens type	varifocal
Mount	n/a
Nominal format size	1/3"
Aspherical technology	yes
Focal length	3,8-9,5mm
Horizontal angle of view	74,2-30°
Iris control	DC
Protection rating	IP67
Housing material	aluminium

VKC-1334/W3

(Specifications continued)

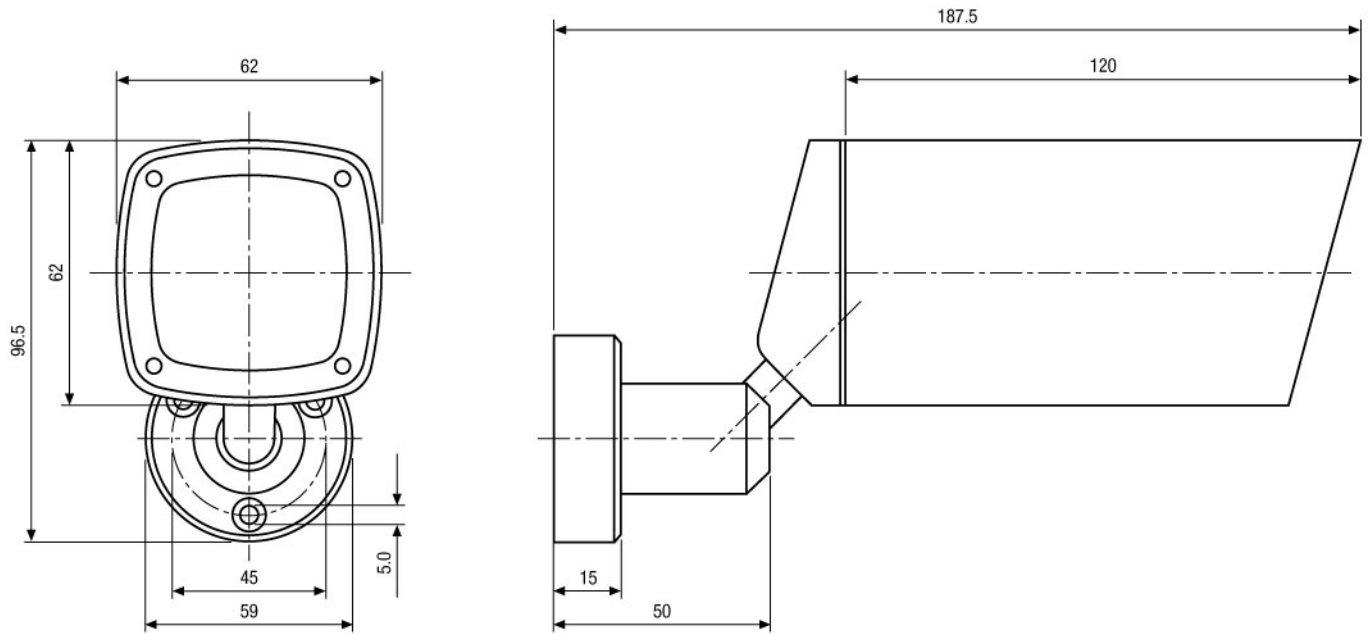
Integrated wall mount	yes
Hidden cable management	yes
Sunshield	no
Window heater	no
Clear Shield	no
Colour (housing)	Pantone 7541

Accessories

70447 / VT-PS12DC-5	Plug-in Power Supply Unit 100-240VAC 12VDC (1.0Amp), Regulated, with DC Plug
77773 / VT-PS12DCDT1	PSU 12VDC/1.0A, Regulated, Desktop Version, 1.8m Cables each w. open ends
88148 / W3 INST-KIT1	Installation Kit for W3 Housings: Mount Adapter, Decoration Plate, Screw Set

Product Information

Most CCD Colour cameras, even of high quality, show very poor performance when they are working under strong backlight conditions. However, by using of Double Speed Sony CCD (Progressive Scan) and SS-2 chip set, as in the VKC-1334/VAR49, this problem will be solved. The Double Speed CCD reads both bright and dark areas separately at the same time and after that the different exposures will be combined to one image by the Wide Dynamic chip CX3151. That's why, even though there it is very bright light or spotlights on the object, the picture will remain very sharp without any blooming and smear. Furthermore true Day and Night function, using a removable IR cut filter and a day/night lens with no focus shift, a real 24hrs. monitoring with clear image both at day and night can be realized, if the camera was optimized according to the application. *) For ceiling installation please contact Videor Technical in advance. They will modify the camera before shipping.



Maße/Dimensions: mm

Sicherheitssysteme Uebachs GmbH
 Your Contact: Fridtjof Uebachs
 Königsallee 22 · 40212 Düsseldorf
 Phone 0211-210744-0 · Fax 0211-210744-29
 technik@uebachs.de · www.uebachs.de

