

Video Security



VKC-1333IR/W3

1/3" Day/Night Camera w. IR Illumination
F1.2/3.8-9.5mm, 12VDC/24VAC, 480TVL

Art-No. 96066



Features

Weatherproof Camera with Swivel Head Bracket
1/3" Day/Night CCD Camera with Varifocal Lens
Lens F1.2/3.8-9.5mm with DC Iris Control
Sensitivity: 0.005Lux at F1.2 (DSS ON)
Resolution of 480 Horizontal Lines
Removable IR Cut Filter

Sensitivity Enhancement: 16x max. (DSS Function)
Switchable Low Speed Shutter (High/Low)
Back Light Compensation (BLC)/Shutter Control (AES)
IR Illumination by 15 integrated 850nm LED's
Supply Voltage: 12VDC/24VAC
Hidden Cable Routing / Protection Rating: IP67

Specifications

System	day&night
Video standard	CCIR/PAL
Imager	CCD, Sony Super HAD Interline Transfer CCD
Sensor size	1/3"
Active picture elements	approx. 440,000, 752(H) x 582(V)
Synchronization	Internal
Signal-to-noise ratio	48dB
Gamma correction	approx. 0.45
Sensitivity (at 50% video signal)	0,5Lux, (0.005Lux at F1.2; VT measurement result at 16x integration rate)
Electronic shutter	1/4 ~ 1/100,000sec.
Integration rate	yes, 8x/16x, selectable
Low speed shutter	1/4 ~ 1/50Sec. (DSS)
Automatic gain control (AGC)	28dB max. (AGC OFF)
Backlight compensation	BLC, Center weighted
White balance (ATW)	2500 ~ 8000K, Automatic tracking

(Specifications continued)

IR cut filter	yes, Motorized, switchable filter. Automatic function depend on the amount of light. Manual switching: see "switching-over, colour/b&w". In removed filter position, the colour signal will be switched OFF
Mount	n/a
Lens	F1.2/F2.0 ~ 360/3.8 ~ 9.5mm with galvanometer controlled iris
Application range	day/night, security
Nominal format size	1/3"
Aspherical technology	yes
Focal length	3,8-9,5mm
Horizontal angle of view	74,2-30°
Focus range	0.15m ~ ?
Iris control	DC
Lens mount	integrated lens
Illumination	12x LED's 850nm / 3x LED's 880nm. Due to an integrated light sensor the LED illumination will be switched ON/OFF, depending from environmental illumination conditions. Full IR emission amount is guaranteed at >11VDC guaranteed at >11VDC.
Illumination range	30m (at a good light reflexion and 40% Videosignal)
Video outputs (type)	CVBS, VBS
Video outputs	1Vp-p, (C)VBS, 75ohms, BNC
Serial interfaces	no
Kind of mounting	Integrated wall mount with ball joint
Supply voltage	12VDC, 24VAC, (10.5 ~ 30VDC, 12 ~ 29VAC)
Power consumption	approx. 5,0watts
Temperature range (Operation)	-20°C ~ +50°C
Mounting	Wall or Ceiling*)
Housing	Aluminium with clear polycarbonate window, outdoor housing
Window screen	PC (Lexan)
Cable connection	Wiring for video and voltage supply made, accessible from outside (1.5m long, Video: BNC jack 12/24V input: for DC plug 2.1/5.5mm)
Hidden Cable Management Support	Supplied
Colour	Pantone 7541
Dimensions (HxWxD)	See drawing
Weight	approx. 680g
Parts supplied	Camera, Manual, "Easy installation" adapter cable, Heat shrink tube
Lens type	varifocal
Protection rating	IP67
Housing material	aluminium
Integrated wall mount	yes
Hidden cable management	yes
Sunshield	no

VKC-1333IR/W3

(Specifications continued)

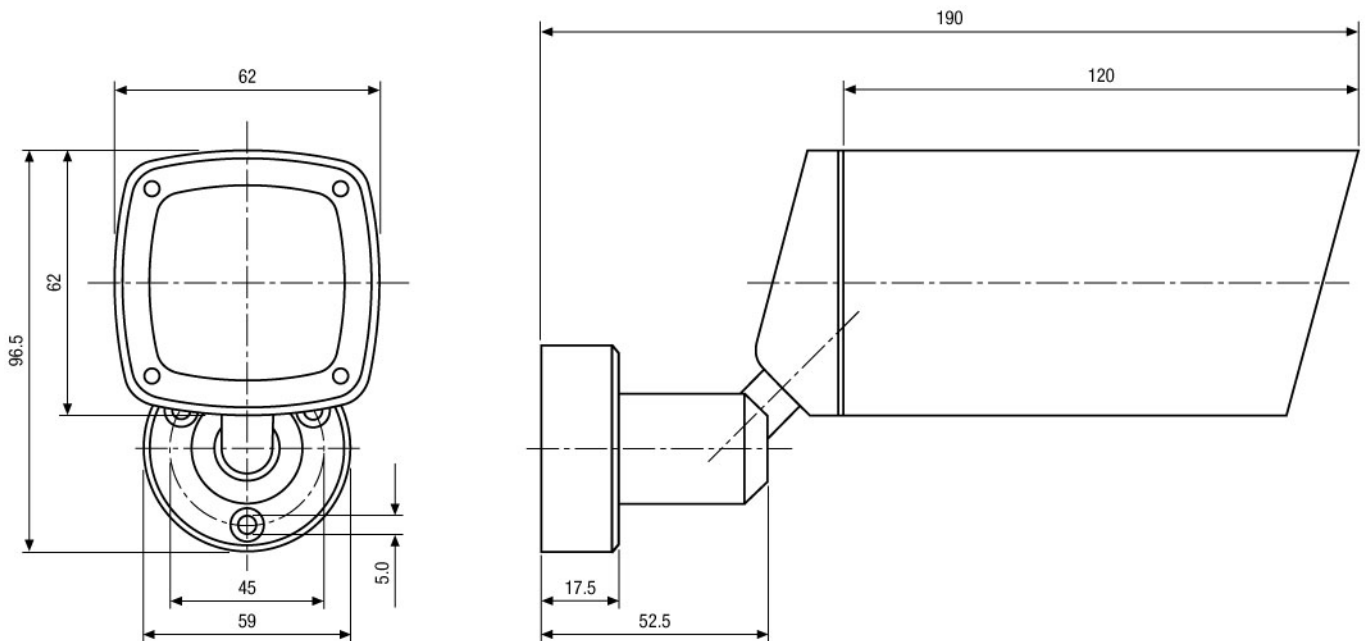
Window heater	no
Clear Shield	no
Colour (housing)	Pantone 7541

Accessories

70447 / VT-PS12DC-5	Plug-in Power Supply Unit 100-240VAC 12VDC (1.0Amp), Regulated, with DC Plug
73844 / FW7362/12	Plugable AC/DC Adapter 100-240V/12VDC-2.5A, Regulated
77773 / VT-PS12DCDT1	PSU 12VDC/1.0A, Regulated, Desktop Version, 1.8m Cables each w. open ends
88148 / W3 INST-KIT1	Installation Kit for W3 Housings: Mount Adapter, Decoration Plate, Screw Set

Product Information

*) For ceiling installation please contact Videor Technical in advance. They will modify the camera before shipping.



Maße/Dimensions: mm

Sicherheitssysteme Uebachs GmbH
Your Contact: Fridtjof Uebachs
Königsallee 22 · 40212 Düsseldorf
Phone 0211-210744-0 · Fax 0211-210744-29
technik@uebachs.de · www.uebachs.de

