

# Video Security



## VKC-1416/IR-VHU

1/4" D&N Camera with 22x Zoom Lens,  
Pre-wired in VHU-165, RS-485, 12VDC

**Art-No. 96064**



## Features

High Resolution Colour/B&W Camera

Integrated 22x AF Zoom Lens/11x Digital Zoom

Resolution of 480 Horizontal Lines

DSP, EDR, DIS, DNR, BLC, Removable IRCF

HighSpeed and LowSpeed Shutter

On-screen Menu Control

RS-485 Fastrax and Pelco P&D Protocols

Weatherproof Housing with Integrated Ball Head

Fully Hidden Cable Routing

For Wall/Ceiling and Upright Mounting

Pre-wired for 12VDC Voltage Supply

Certified according to BGV Kassen / IP66-67

## Specifications

Application range	security
System	day&night
Video standard	CCIR/PAL
Signal processing	Digital (DSP)
Sensor size	1/3"
Imager	Sony Super HAD Interline Transfer CCD, CCD
Active picture elements	approx. 440,000, 752(H) x 582(V)
Synchronization	Internal
Signal-to-noise ratio	52db (AGC OFF)
Sensitivity (at 50% video signal)	0,45Lux, (colour); 0.24Lux (B&W). With 8x Low Speed Shutter, colour: 0.05Lux, b&w: 0.03Lux. Related to aperture F1.2 each
Exposure modes	Automatic or manual mode: Iris, Shutter and AGC. Automatic mode: Iris priority, Shutter priority
Electronic shutter control (ESC)	1/50 ~ 1/10000sec., Automatic (starting from F22) and manual
Low speed shutter (DSS)	1/30sec. ~ 1sec. (to 2, 4, 8, 16, 32 and 60 Fps. selectable)
Integration rate	yes

(Specifications continued)

<b>Automatic gain control (AGC)</b>	30dB max., ON/OFF switchable
<b>White balance</b>	Automatic (AWB) selectable for indoor and outdoor, or manual. Wide range auto mode (WAWB)
<b>Backlight compensation</b>	BLC, On/Off switchable with adjustable field size
<b>IR cut filter</b>	Motorized, switchable filter. Automatic function depend on the amount of light. Manual switching: see "switching-over colour/b&w". In removed filter position, the colour signal will be switched OFF, yes
<b>Video outputs (type)</b>	CVBS, VBS
<b>Video outputs</b>	1Vp-p, CVBS, 75ohms
<b>Lens type</b>	zoom
<b>Lens mount</b>	integrated lens
<b>Mount</b>	n/a
<b>Nominal format size</b>	1/3"
<b>Aspherical technology</b>	no
<b>Focal length</b>	3,9-85,8mm
<b>Digital Zoom</b>	11x
<b>Zoom range</b>	3.9 ~ 85.8mm (22x Zoom)
<b>Horizontal angle of view</b>	50-2,46°
<b>Iris control</b>	Auto iris (F1.6 ~ F32), with manual override, DC
<b>Filter screw size</b>	M37x0.7mm
<b>Minimum object distance (MOD)</b>	Wide angle (x1 ~ x4): 10cm Tele end (x5 ~ x22): 1.0m. Adjustable to 0.1m, 1.0m, 1.5m, 2.5m and 6m
<b>OSD function control</b>	D&N, AGC, BLC, AWB, Iris, MOD, PIP, Freeze, Digital zoom, Digital noise reduction (DNR) ON/OFF. Mirror, Negativ/Positiv image. Digital image stabilization (DIS), Wide dynamic range (WDR) and Shutter mode
<b>Menu driven set-up</b>	On/Off switchable
<b>Text display</b>	Title, camera ID and status
<b>Serial interfaces</b>	RS-232, RS-485
<b>Serial port</b>	Fastrax-E, Pelco P&D protocols
<b>External adjustments</b>	Menu: ON/OFF Focus: Near/Far Zoom: T/W
<b>External connections</b>	Wiring for video, voltage supply for camera and heater, RS-485, accessible from outside (Video: BNC jack 12V input, RS-485: open ends)
<b>Protection rating</b>	IP66, IP67
<b>Supply voltage</b>	12VDC, (+/-10%)
<b>Power consumption</b>	4.3watts (camera only)
<b>Temperature range (Operation)</b>	-30°C ~ +40°C
<b>Housing material</b>	aluminium
<b>Housing</b>	outdoor housing, Aluminium w. plastic front and back
<b>Integrated wall mount</b>	yes
<b>Hidden cable management</b>	yes
<b>Window heater</b>	12V, thermostatically controlled, yes
<b>Sunshield</b>	Yes, yes
<b>Clear Shield</b>	no

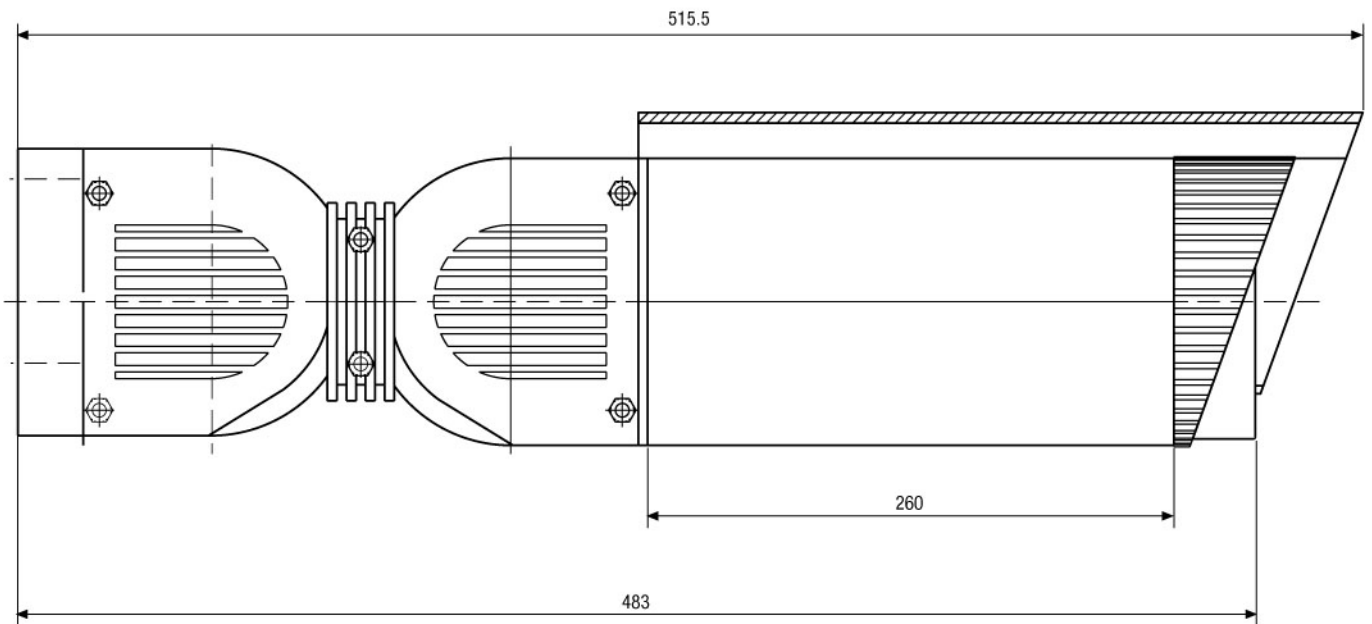
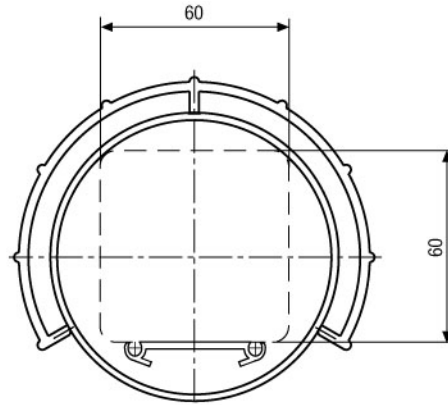
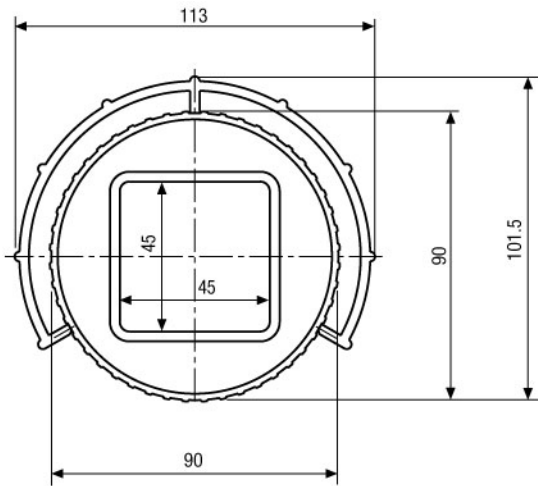
## VKC-1416/IR-VHU

(Specifications continued)

<b>Colour (housing)</b>	RAL9016
<b>Colour</b>	RAL9016 (Body and sunshield), RAL7035 (Front and back), RAL7037 (Inner ball, fixing ring)
<b>Dimensions (HxWxD)</b>	See drawing
<b>Weight</b>	1.2kg
<b>Parts supplied</b>	3mm Allen key, Bag of fixing screws

## Accessories

<b>79494 / VHU-NT1</b>	Power Supply Unit for Candid Housing Series 230VAC/12VDC-14VAC(Camera/Heater)
<b>74088 / EDC-KBD1</b>	System Keyboard with 3-axis Joystick, 12VDC/230VAC
<b>74092 / EDC-KBDM-3</b>	System Keyboard w. Joystick, 5" Monitor 12VDC/230VAC, Fastrax Protocol
<b>74124 / FASTRAX_CONFIG</b>	Configuration Software for Eneo Fastrax, Minitrax Dome Cameras and VKC-1416



Maße/Dimensions: mm

Sicherheitssysteme Uebachs GmbH  
 Your Contact: Fridtjof Uebachs  
 Königsallee 22 · 40212 Düsseldorf  
 Phone 0211-210744-0 · Fax 0211-210744-29  
 technik@uebachs.de · www.uebachs.de

