

# Video Security



## VKC-1326/W3

1/3" Day/Night Camera w. F1.2/3.8-9.5mm Lens, 12VDC, 480TVL

Art-No. 96058



## Features

Weatherproof Camera with Swivel Head Bracket  
1/3" Day/Night CCD Camera with Varifocal Lens  
Built-in Lens F1.2/3.8-9.5mm with DC Iris Control  
Sensitivity: 0.005Lux at F1.2 (DSS ON)  
Resolution of 480 Horizontal Lines  
Sensitivity Enhancement: 16x/32x (DSS Function)

Switchable Low Speed Shutter (High/Low)  
Back Light Compensation (BLC)  
Automatic White Balance (ATW)  
Supply Voltage: 12VDC  
Fully Hidden Cable Routing  
Protection Rating: IP67

## Specifications

Application range	security
System	day&night
Video standard	CCIR/PAL
Sensor size	1/3"
Imager	Sony Super HAD Interline Transfer CCD, CCD
Active picture elements	approx. 440,000, 752(H) x 582(V)
Synchronization	Internal
Signal-to-noise ratio	48dB
Gamma correction	approx. 0.45
Horizontal resolution	480 TV lines
Sensitivity (at 50% video signal)	0,5Lux, at F1.2 (VT measurement result), 0.005Lux (with 16x integration rate)
Electronic shutter	1/4 ~ 1/100,000sec.
Low speed shutter	1/2 ~ 1/50Sec. (DSS)
Integration rate	16x/32x, selectable, yes
Automatic gain control (AGC)	28dB max. (AGC OFF)
White balance (ATW)	2500 ~ 8000K, Automatic tracking
Backlight compensation	BLC, Center weighted

**VKC-1326/W3**

(Specifications continued)

<b>IR cut filter</b>	Low-Pass Filter, no
<b>Video outputs (type)</b>	CVBS, VBS
<b>Video outputs</b>	1Vp-p, (C)VBS, 75ohms, BNC
<b>Lens type</b>	varifocal
<b>Lens</b>	F1.2/F2.0 ~ 360/3.8 ~ 9.5mm with galvanometer controlled iris
<b>Lens mount</b>	integrated lens
<b>Mount</b>	n/a
<b>Nominal format size</b>	1/3"
<b>Aspherical technology</b>	yes
<b>Focal length</b>	3,8-9,5mm
<b>Horizontal angle of view</b>	74,2-30°
<b>Iris control</b>	DC
<b>Focus range</b>	0.15m ~ ?
<b>Serial interfaces</b>	no
<b>Cable connection</b>	Wiring for video and voltage supply made, accessible from outside (1.5m long, Video: BNC jack 12/24V input: for DC plug 2.1/5.5mm)
<b>Kind of mounting</b>	Integrated wall mount with ball joint
<b>Mounting</b>	Wall or Ceiling*)
<b>Protection rating</b>	IP67
<b>Supply voltage</b>	12VDC, (9 ~ 15VDC), 12VDC ±0,5V recommended
<b>Power consumption</b>	approx. 3.0watts
<b>Temperature range (Operation)</b>	-20°C ~ +50°C
<b>Housing material</b>	aluminium
<b>Housing</b>	outdoor housing, Aluminium with clear polycarbonate window
<b>Integrated wall mount</b>	yes
<b>Hidden cable management</b>	yes
<b>Window screen</b>	PC (Lexan)
<b>Sunshield</b>	no
<b>Window heater</b>	no
<b>Hidden Cable Management Support</b>	Supplied
<b>Clear Shield</b>	no
<b>Colour (housing)</b>	Pantone 7541
<b>Dimensions (HxWxD)</b>	See drawing
<b>Weight</b>	approx. 680g
<b>Remarks</b>	The camera is not equipped with a removable IR cut filter (More details upon request)

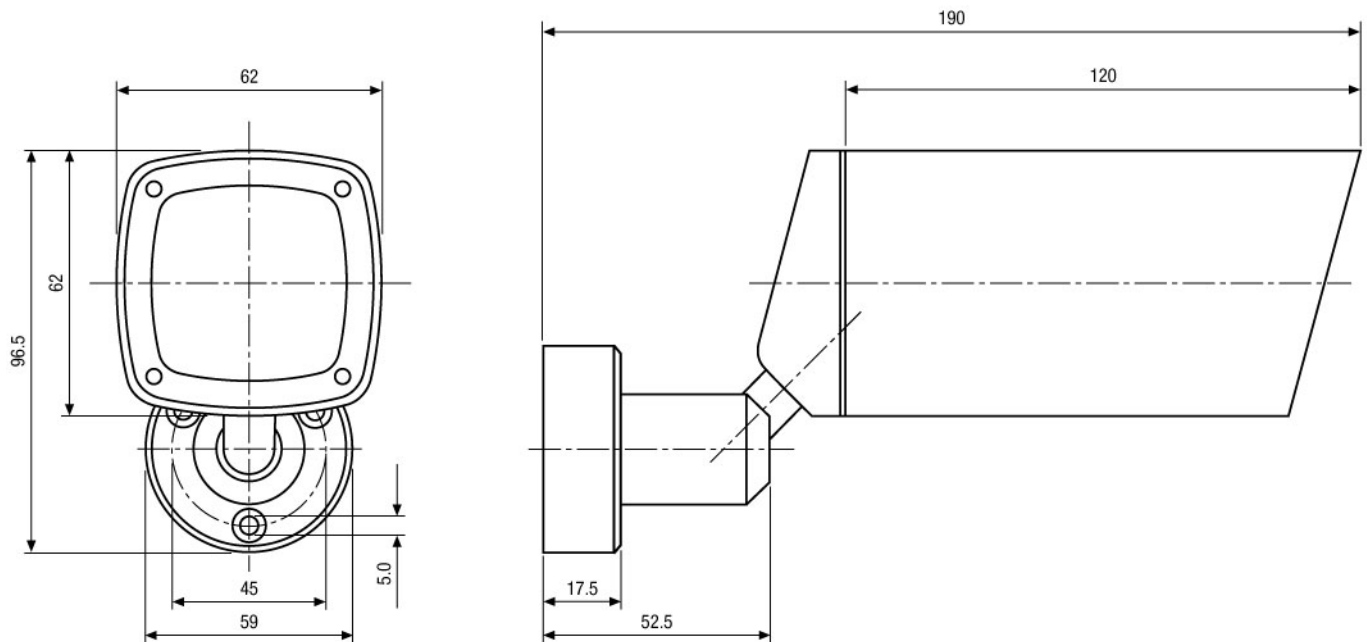
**Accessories**

<b>70447 / VT-PS12DC-5</b>	Plug-in Power Supply Unit 100-240VAC 12VDC (1.0Amp), Regulated, with DC Plug
<b>77773 / VT-PS12DCDT1</b>	PSU 12VDC/1.0A, Regulated, Desktop Version, 1.8m Cables each w. open ends

(Accessories continued)

**88148 / W3 INST-KIT1**Installation Kit for W3 Housings: Mount Adapter,  
Decoration Plate, Screw Set**Product Information**

\*) For ceiling installation please contact Videor Technical in advance. They will modify the camera before shipping.



Maße/Dimensions: mm

Sicherheitssysteme Uebachs GmbH  
 Your Contact: Fridtjof Uebachs  
 Königsallee 22 · 40212 Düsseldorf  
 Phone 0211-210744-0 · Fax 0211-210744-29  
 technik@uebachs.de · www.uebachs.de

