

# Video Security



## TCZ-920PV

1/4" HiRes Colour Camera with Lens  
F2.0/2.8-5.8mm, VHP-2 Housing, 460TVL

Art-No. 96047



## Features

Colour Brd. Camera in Weatherproof Housing  
1/4" CCD Sensor Chip  
Resolution of 460 Horizontal Lines  
Electronic Shutter Control (ESC)  
Back Light Compensation (BLC)  
Automatic White Balance (AWB)

Automatic Gain Control (AGC)  
Integrated Lens: F2.0/2.8-5.8mm  
Supply Voltage: 12VDC/24VAC  
Internal/Line-lock Synchronization  
Index of Protection: IP67  
Protected Pan and Tilt Fixing Mechanism

## Specifications

Application range	security
System	Colour
Video standard	PAL
Sensor size	1/4"
Imager	1/4" Sony Super HAD Interline Transfer CCD, CCD
Active picture elements	Approx. 440,000 (H) 752 x (V) 582
Synchronization	Internal/AC line lock
Signal-to-noise ratio	48dB (AGC Off)
Gamma correction	approx. 0.6
Sensitivity (at 50% video signal)	1,2Lux, at F1.2 (VT measurement result), 3.3Lux at F2.0
Electronic shutter control (ESC)	1/50 ~ 1/100,000sec. (On/Off switchable)
Integration rate	no
Automatic gain control (AGC)	26db (On/Off switchable)
White balance	Automatic (ON/OFF switchable)
Backlight compensation	BLC, ON/OFF switchable
IR cut filter	no
Video outputs (type)	CVBS
Video outputs	1Vp-p, CVBS, 75ohms

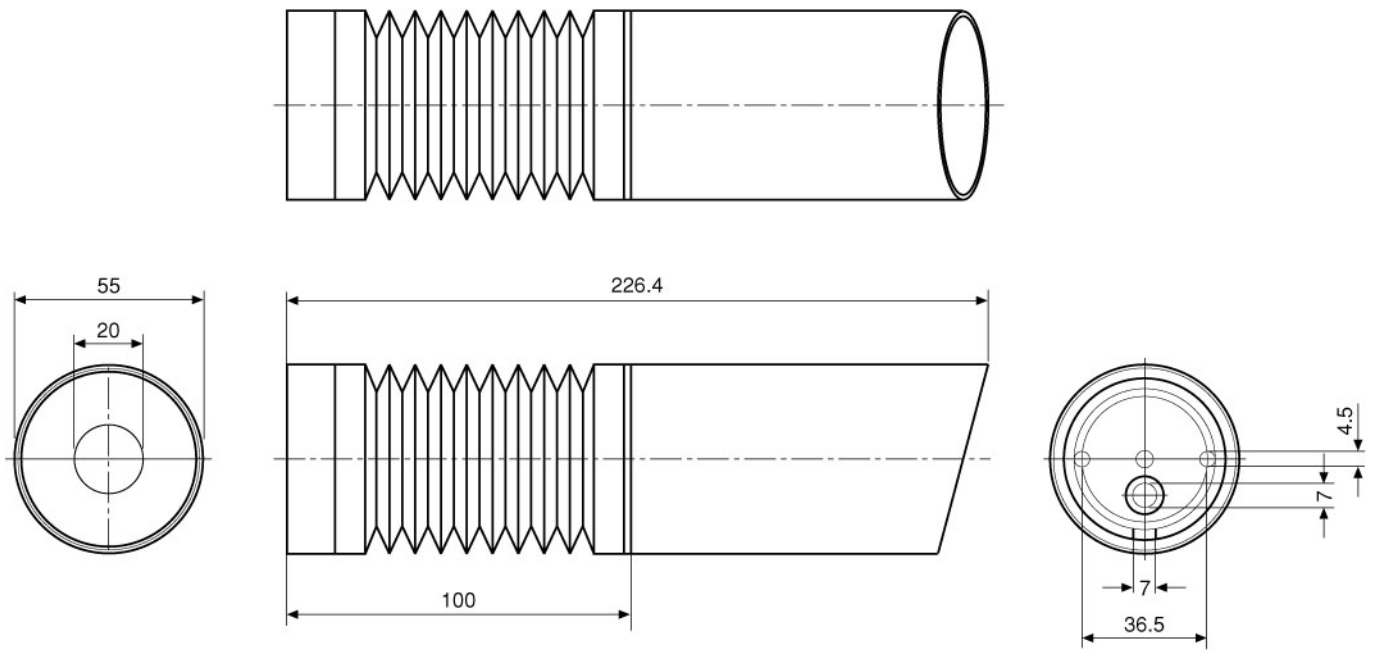
## TCZ-920PV

(Specifications continued)

<b>Lens type</b>	varifocal
<b>Lens</b>	F2.0/2.8 ~ 5.8mm
<b>Lens mount</b>	integrated lens
<b>Mount</b>	n/a
<b>Nominal format size</b>	1/3"
<b>Aspherical technology</b>	no
<b>Focal length</b>	2,8-5,8mm
<b>Horizontal angle of view</b>	65-34°
<b>Iris control</b>	auto iris
<b>Serial interfaces</b>	no
<b>Cable connection</b>	Wiring for video and voltage supply made, accessible from outside
<b>Protection rating</b>	IP67
<b>Supply voltage</b>	12VDC, 24VAC, (10.8 ~ 37.3VDC, 24VAC +/-10%)
<b>Current consumption</b>	280mA (12VDC) 180mA (24VAC)
<b>Temperature range (Operation)</b>	-10° ~ +50°C
<b>Housing material</b>	aluminium
<b>Housing</b>	outdoor housing, Aluminium w. glass front screen
<b>Integrated wall mount</b>	yes
<b>Hidden cable management</b>	yes
<b>Heater/sunshield</b>	No
<b>Sunshield</b>	no
<b>Window heater</b>	no
<b>Clear Shield</b>	no
<b>Colour (housing)</b>	anodized light (C-0)
<b>Dimensions (HxWxD)</b>	See drawing
<b>Weight</b>	approx. 600g
<b>Parts supplied</b>	Bag of screws

## Accessories

<b>70448 / VT-PS12DC-6</b>	Plug-in Power Supply Unit 100-240VAC 12VDC (1.0Amp), Regulated, w. open Ends
<b>77773 / VT-PS12DCDT1</b>	PSU 12VDC/1.0A, Regulated, Desktop Version, 1.8m Cables each w. open ends



Maße/Dimensions: mm

Sicherheitssysteme Uebachs GmbH  
Your Contact: Fridtjof Uebachs  
Königsallee 22 · 40212 Düsseldorf  
Phone 0211-210744-0 · Fax 0211-210744-29  
technik@uebachs.de · www.uebachs.de

