

Video Security



VKC-144/W2

1/4" Colour Camera with 3.6mm Lens
VHP-2 Housing, 380TVL

Art-No. 96031



Features

Colour Brd. Camera VKC-144 in Weatherproof Housing
1/4" CCD Sensor Chip
Resolution of 380 Horizontal Lines
Electronic Shutter Control (ESC)
High Sensitivity

Integrated Lens: F2.0/3.6 mm
Supply Voltage: 12 VDC
Compact Version
Index of Protection: IP67
Protected Pan and Tilt Fixing Mechanism

Specifications

Application range	security
System	Colour
Video standard	PAL
Sensor size	1/4"
Imager	Sony Super HAD Interline Transfer CCD, CCD
Active picture elements	approx. 290,000, 500(H) x 582(V)
Synchronization	Internal
Gamma correction	approx. 0.45
Sensitivity (at 50% video signal)	1,25Lux, at F1.2 (VT measurement result), 3.5Lux at F2,0
Electronic shutter control (ESC)	1/50 ~ 1/100,000sec.
Integration rate	no
Backlight compensation	no
Aperture Correction (APC)	Yes (horizontal)
IR cut filter	no
Video outputs (type)	CVBS
Video outputs	1Vp-p, CVBS, 75ohms
Lens type	fixed focal length
Lens	F2.0/3.6mm w/o. iris
Lens mount	integrated lens

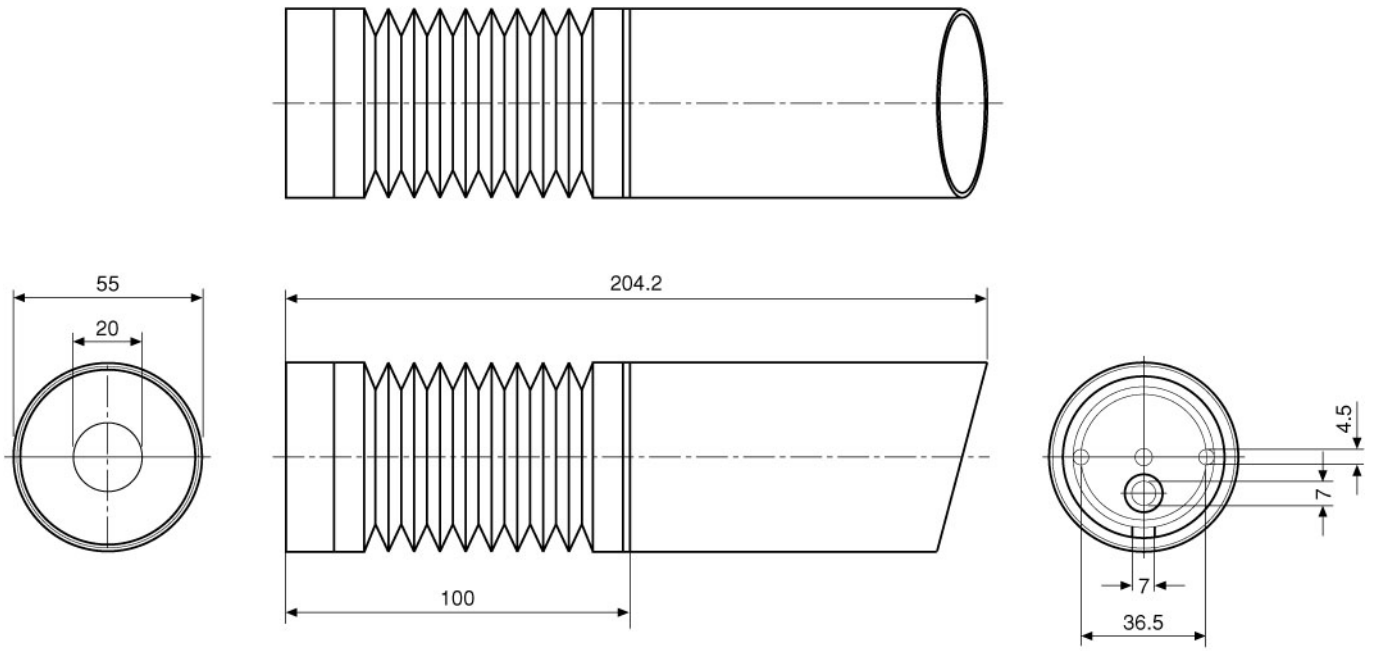
VKC-144/W2

(Specifications continued)

Mount	n/a
Nominal format size	1/3"
Aspherical technology	no
Focal length	3,6mm
Horizontal angle of view	52°
Iris control	no
Serial interfaces	no
Cable connection	Wiring for video and voltage supply made, accessible from outside
Protection rating	IP67, IP67
Supply voltage	12VDC, (+/-10%)
Power consumption	approx. 1.5watts
Temperature range (Operation)	-30°C ~ +40°C
Housing material	aluminium
Housing	outdoor housing, Aluminium w. glass front screen
Integrated wall mount	yes
Hidden cable management	yes
Heater/sunshield	No
Sunshield	no
Window heater	no
Clear Shield	no
Colour (housing)	anodized light (C-0)
Dimensions (HxWxD)	See drawing
Weight	480g
Parts supplied	Bag of screws

Accessories

70448 / VT-PS12DC-6	Plug-in Power Supply Unit 100-240VAC 12VDC (1.0Amp), Regulated, w. open Ends
77773 / VT-PS12DCDT1	PSU 12VDC/1.0A, Regulated, Desktop Version, 1.8m Cables each w. open ends



Maße/Dimensions: mm

Sicherheitssysteme Uebachs GmbH
 Your Contact: Fridtjof Uebachs
 Königsallee 22 · 40212 Düsseldorf
 Phone 0211-210744-0 · Fax 0211-210744-29
 technik@uebachs.de · www.uebachs.de

