

Video Security



VK-133/W1

1/3" B&W Camera with 3.8mm lens in VHP-1 Housing with Wall Bracket WD-21, 420TVL

Art-No. 96005



Features

B&W Board Camera VK-133 in Weatherproof Housing

1/3" CCD Sensor Chip

Resolution of 420 Horizontal Lines

Electronic Shutter Control (ESC)

High Sensitivity

Integrated Lens: F2.0/3.8mm

Supply Voltage: 12VDC

Insulated Camera Mounting

Compact Version

Index of Protection: IP67

Wall Bracket Included

Specifications

Application range	security
System	black/white
Video standard	CCIR
Sensor size	1/3"
Imager	Sony Super HAD Interline Transfer CCD, CCD
Active picture elements	Approx. 290,000 (H) 500 x (V) 582
Synchronization	Internal
Gamma correction	0.45
Sensitivity (at 50% video signal)	0,58Lux, at F1.2 (VT measurement result), 1.6Lux at F2.0
Electronic shutter control (ESC)	1/50 ~ 1/100,000sec.
Integration rate	no
Backlight compensation	no
Aperture Correction (APC)	Yes (horizontal)
IR cut filter	no
Video outputs (type)	VBS
Video outputs	1Vp-p, VBS, 750hm
Integrated lens	F2.0/3.8 mm w./o. iris
Lens type	fixed focal length

VK-133/W1

(Specifications continued)

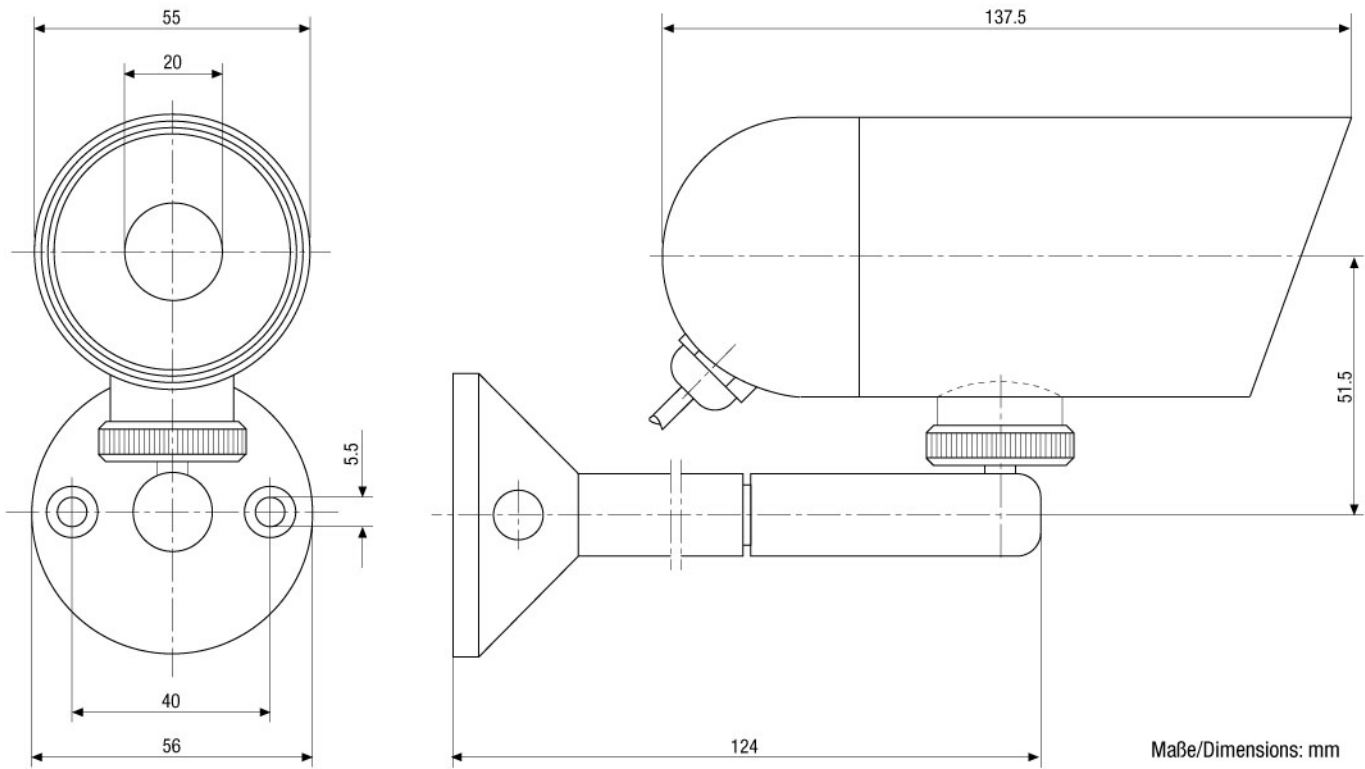
Lens mount	integrated lens
Mount	n/a
Nominal format size	1/3"
Aspherical technology	no
Focal length	3,8mm
Horizontal angle of view	65°
Iris control	no
Serial interfaces	no
Cable entry	Wiring for video and voltage supply made, accessible from outside
Protection rating	IP67
Supply voltage	12VDC, (+/-10%)
Power consumption	approx. 1.5watts
Temperature range (Operation)	-30°C ~ +40°C
Housing material	aluminium
Housing	outdoor housing, Aluminium w. glass front screen
Integrated wall mount	yes
Hidden cable management	no
Heater/sunshield	No
Sunshield	no
Window heater	no
Clear Shield	no
Colour (housing)	anodized light (C-0)
Dimensions (HxWxD)	See drawing
Weight (w./o. wall bracket)	280g
Parts supplied	Wall bracket WD-21/MK, 3mm Allen key, Bag of screws

Accessories

40072 / H0620M	F2.0/6mm Board Camera Lens, 1/3" M12x0.5
40061 / H0820M	F2.0/8mm Board Camera Lens, 1/3" M12X0.5
40065 / H1225	F2.5/12mm Board camera lens, 1/3" M12x0.5
70448 / VT-PS12DC-6	Plug-in Power Supply Unit 100-240VAC 12VDC (1.0Amp), Regulated, w. open Ends
77773 / VT-PS12DCDT1	PSU 12VDC/1.0A, Regulated, Desktop Version, 1.8m Cables each w. open ends

Product Information

Text (EN)



Sicherheitssysteme Uebachs GmbH
Your Contact: Fridtjof Uebachs
Königsallee 22 · 40212 Düsseldorf
Phone 0211-210744-0 · Fax 0211-210744-29
technik@uebachs.de · www.uebachs.de

