

Video Security



VKC-1349

1/3" Colour Camera with DSP, AGC, APC
BLC, ESC, AWB, 230VAC, 540TVL

Art-No. 92508



Lens is not included with the camera

Features

Resolution of 540 Horizontal Lines

Automatic Gain Control (AGC)

Sensitivity of 0.8Lux (at F1.2)

Back Light Compensation (BLC)

Electronic Shutter Control (ESC)

Automatic AI/DC Control Selection (Depend on Lens)

Horizontal and Vertical Aperture Correction (APC)

Integrated Eclipse and Flickerless Function

Automatic White Balance with Hold Function (AWB)

Auto Blemish Compensation (up to 32 Pixels)

Adjustable Video Transmission Distance

Supply Voltage: 230VAC

Specifications

| | |
|-----------------------------------|---|
| Video standard | CCIR/PAL |
| System | Colour |
| Sensor size | 1/3" |
| Imager | CCD, 1/3" Sharp Interline Transfer CCD |
| Active picture elements | approx. 440,000, 752(H) x 582(V) |
| Signal processing | Digital (DSP) |
| Synchronization | Internal/AC line lock |
| Signal-to-noise ratio | 48dB (AGC OFF) |
| Gamma correction | 0.6/1.0 |
| Sensitivity (at 50% video signal) | 0,8Lux |
| Light control range (ESC + AGC) | 30,000:1 |
| Light control range (AI + AGC) | 600,000:1 (Iris range F1.4 ~ F300) |
| Electronic shutter control (ESC) | 2.000:1 (On/Off switchable) |
| Integration rate | no |
| Signal amplification | 3 steps (for transmission distance short, middle, long) |
| Automatic gain control (AGC) | Normal, High and ON/OFF switchable |
| Backlight compensation | BLC, eclipser |
| White balance (AWB) | Auto/Hold |

(Specifications continued)

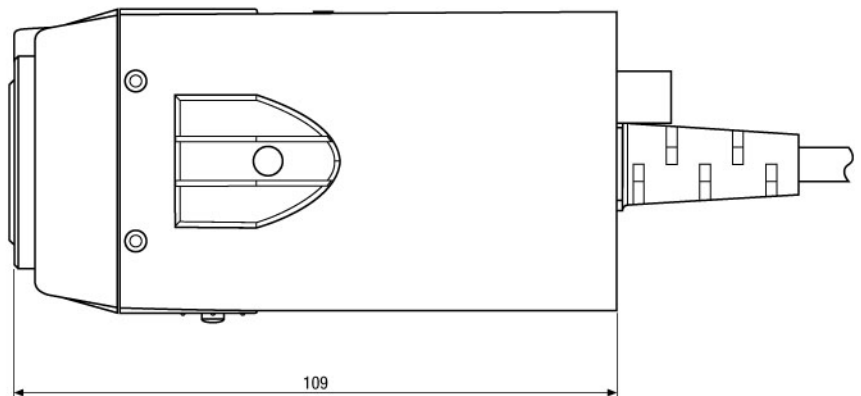
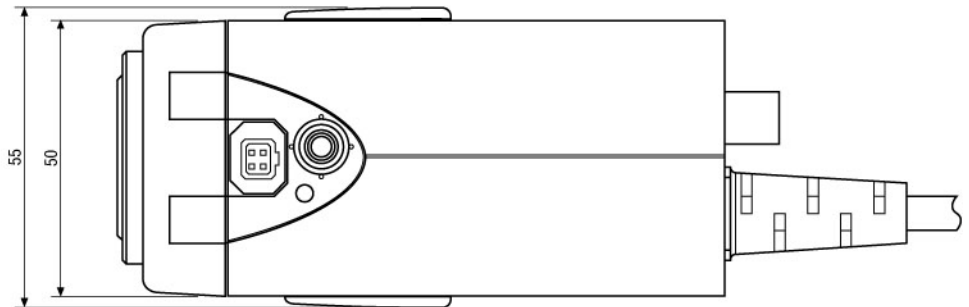
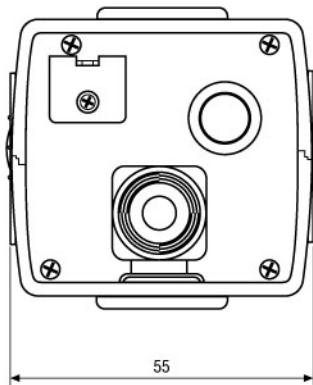
| | |
|--------------------------------------|--|
| Blemish compensation | Automatic blemish detection and compensation (for up to 32 pixels) |
| Aperture Correction (APC) | Horizontal and vertical |
| Flickerless function | 1/120sec., ON/OFF switchable |
| Eclipser function | On/Off, Treshold, Eclipse and Grey level |
| IR cut filter | no |
| OSD function control | OSD camera setup, Pixel correction, Eclipser, BLC, AWB, Chroma, ESC, AGC, Flickerless, Aperture, Masking (Window blanking), Transmission distance compensation |
| Lens mount | CS |
| Usable iris controls | Manual iris, Auto-Iris/DC controlled |
| Auto-Iris voltage supply | 9VDC (40mA max.) |
| External adjustments | Flange focus Switch for setup menu |
| Video outputs (type) | CVBS |
| Video outputs | 1Vp-p, composite, 75ohms, BNC |
| External connections | DC Iris control (4-pin), Video (BNC), Power input |
| Serial interfaces | no |
| Camera mount | 1/4" - 20 UNC thread on top and bottom |
| Supply voltage | 230VAC |
| Power consumption | approx. 12watts |
| Temperature range (Operation) | 0 ~ +40°C |
| Weight | 400g |
| Parts supplied | 4-pin plug, Allan key, Manual on CD ROM |

Accessories

| | |
|------------------------------|---|
| 70771 / WD-23 | Wall Mount Bracket with Ball Joint, 1/4" Camera Fixing Screw, Pantone 877 |
| 70769 / WD-22 | Wall Mount Bracket with Ball Joint, 1/4" Camera Fixing Screw, Beige Grey |
| 47162 / F0212M-NFS | F1.2/2.2mm Fixed Focal Length Lens with No Focus Shift, 1/3" CS Mount |
| 47156 / F0312M-NFS | F1.2/2.8mm Fixed Focal Length Lens with No Focus Shift, 1/3" CS Mount |
| 47157 / F0412M-NFS | F1.2/4mm Fixed Focal Length Lens with No Focus Shift, 1/3" CS Mount |
| 47158 / F0612M-NFS | F1.2/6mm Fixed Focal Length Lens with No Focus Shift, 1/3" CS Mount |
| 47159 / F0812M-NFS | F1.2/8mm Fixed Focal Length Lens with No Focus Shift, 1/3" CS Mount |
| 47161 / F0212NDDC-NFS | F1.2/2.2mm DC Lens with No Focus Shift, 1/3" CS Mount |
| 47147 / F0312NDDC-NFS | F1.2/2.8mm DC Lens with No Focus Shift, 1/3" CS Mount |
| 47148 / F0412NDDC-NFS | F1.2/4mm DC Lens with No Focus Shift, 1/3" CS Mount |
| 47149 / F0612NDDC-NFS | F1.2/6mm DC Lens with No Focus Shift, 1/3" CS Mount |
| 47144 / B18Z06MA1 | F2,5/18-108mm Macro Zoom Lens, 2/3", C Mount |
| 43252 / G04Z03M-NFS | F1.2/4.5-12.5mm Lens, Var. Focal Length with No Focus Shift, 1/2", CS Mount |

(Accessories continued)

| | |
|--------------------------------|--|
| 45246 / YV5X2.7R4B-SA2L | F1.3/2.7-13.5mm DC Varifocal Lens, No Focus Shift, 1/3" CS Mount |
| 43237 / F03Z04NDDC-NFS | F1.4/2.8-11mm DC Lens/var. Focal Length No Focus Shift, 1/3" CS Mount |
| 43238 / F03Z2.710DC-NFS | F1.0/3-8mm DC Lens/var. Focal Length with No Focus Shift, 1/3" CS Mount |
| 43251 / G04Z03NDDC-NFS | F1.2/4.5-12.5mm DC Lens/variable Focal Length, No Focus Shift, 1/2" CS Mount |
| 45251 / YV10X5R4A-SA2L | F1,6/5-50mm DC Varifocal Lens with No Focus Shift, 1/3" CS Mount |
| 43249 / F07Z07NDDC-NFS | F1.3/7.5-50mm DC Lens/var. Focal Length with No Focus Shift, 1/3" CS Mount |
| 43239 / A10Z04NDDC-NFS | F1.4/10-40mm DC Lens/var. Focal Length with No Focus Shift, 1/2" C Mount |
| 43106 / C/CS RING-AL | Adapter Ring, C/CS Mount, Aluminium anodized |



Maße/Dimensions: mm

Sicherheitssysteme Uebachs GmbH
 Your Contact: Fridtjof Uebachs
 Königsallee 22 · 40212 Düsseldorf
 Phone 0211-210744-0 · Fax 0211-210744-29
 technik@uebachs.de · www.uebachs.de

