

Video Security



VKC-1349/12-24

1/3" Colour Camera with DSP, AGC, APC
BLC, ESC, AWB, 12VDC/24VAC, 540TVL

Art-No. 92499



Lens is not included with the camera

Features

Resolution of 540 Horizontal Lines

Automatic Gain Control (AGC)

Sensitivity of 0.8Lux (at F1.2)

Back Light Compensation (BLC)

Electronic Shutter Control (ESC)

Automatic AI/DC Control Selection (Depend on Lens)

Horizontal and Vertical Aperture Correction (APC)

Integrated Eclipse and Flickerless Function

Automatic White Balance with Hold Function (AWB)

Auto Blemish Compensation (up to 32 Pixels)

Adjustable Video Transmission Distance

Supply Voltage: 12VDC/24VAC

Specifications

Video standard	CCIR/PAL
System	Colour
Sensor size	1/3"
Imager	CCD, 1/3" Sharp Interline Transfer CCD
Active picture elements	approx. 440,000, 752(H) x 582(V)
Signal processing	Digital (DSP)
Synchronization	Internal/AC line lock
Signal-to-noise ratio	48dB (AGC OFF)
Gamma correction	0.6/1.0
Sensitivity (at 50% video signal)	0,8Lux, at F1.2 (VT measurement result)
Light control range (ESC + AGC)	30,000:1
Light control range (AI + AGC)	600,000:1 (Iris range F1.4 ~ F300)
Electronic shutter control (ESC)	2.000:1 (On/Off switchable)
Integration rate	no
Signal amplification	3 steps (for transmission distance short, middle, long)
Automatic gain control (AGC)	Normal, High and ON/OFF switchable
Backlight compensation	BLC
White balance (AWB)	Auto/Hold

(Specifications continued)

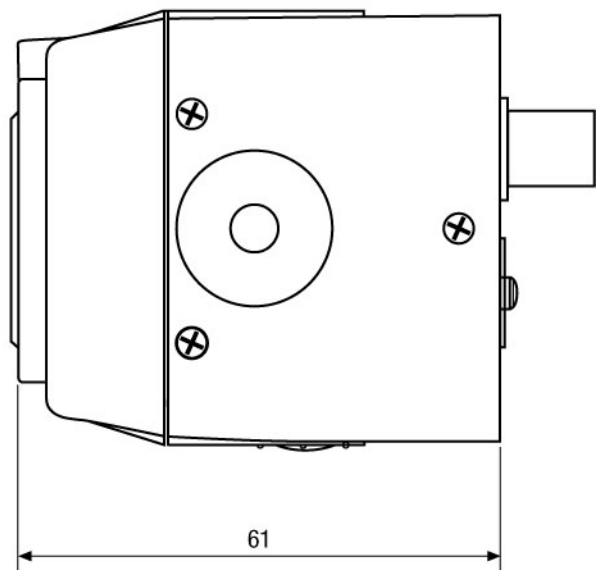
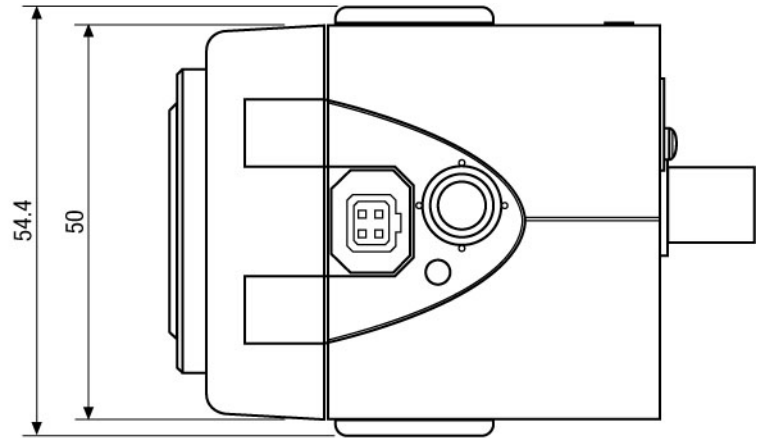
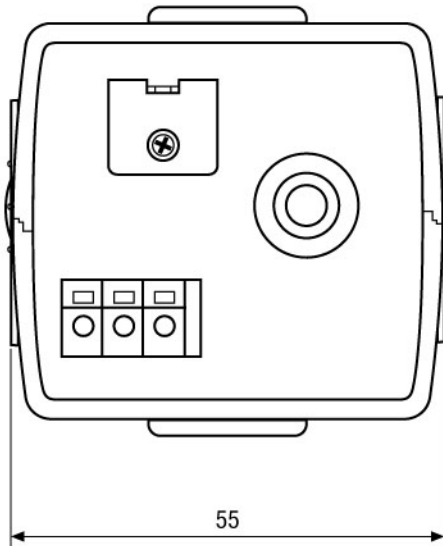
Blemish compensation	Automatic blemish detection and compensation (for up to 32 pixels)
Aperture Correction (APC)	Horizontal and vertical
Flickerless function	1/120sec., On/Off switchable
Eclipser function	On/Off, Treshold, Eclipse and Grey level
IR cut filter	no
OSD function control	OSD camera setup: Pixel correction, Eclipser, BLC, AWB, Chroma, ESC, AGC, Flickerless, Aperture, Masking (Window blanking), Transmission distance compensation
Lens mount	CS
Usable iris controls	Manual iris, Auto-Iris/DC controlled
Auto-Iris voltage supply	9VDC (40mA max.)
External adjustments	Flange focus Switch for setup menu
Video outputs (type)	CVBS
Video outputs	1Vp-p, CVBS, 75ohms, BNC
External connections	DC Iris control (4-pin), Video (BNC), Power input
Serial interfaces	no
Camera mount	1/4" - 20 UNC thread on top and bottom
Supply voltage	12VDC, 24VAC, (+/-15%), 24VAC (+/-15%) 50Hz
Power consumption	approx. 4.8watts (at 12VDC)
Temperature range (Operation)	0 ~ +40°C
Dimensions (HxWxD)	See drawing
Weight	200g
Parts supplied	4-pin plug, Allan key, Manual on CD ROM

Accessories

70448 / VT-PS12DC-6	Plug-in Power Supply Unit 100-240VAC 12VDC (1.0Amp), Regulated, w. open Ends
70769 / WD-22	Wall Mount Bracket with Ball Joint, 1/4" Camera Fixing Screw, Beige Grey
70771 / WD-23	Wall Mount Bracket with Ball Joint, 1/4" Camera Fixing Screw, Pantone 877
47162 / F0212M-NFS	F1.2/2.2mm Fixed Focal Length Lens with No Focus Shift, 1/3" CS Mount
47156 / F0312M-NFS	F1.2/2.8mm Fixed Focal Length Lens with No Focus Shift, 1/3" CS Mount
47157 / F0412M-NFS	F1.2/4mm Fixed Focal Length Lens with No Focus Shift, 1/3" CS Mount
47158 / F0612M-NFS	F1.2/6mm Fixed Focal Length Lens with No Focus Shift, 1/3" CS Mount
47159 / F0812M-NFS	F1.2/8mm Fixed Focal Length Lens with No Focus Shift, 1/3" CS Mount
47161 / F0212NDDC-NFS	F1.2/2.2mm DC Lens with No Focus Shift, 1/3" CS Mount
47147 / F0312NDDC-NFS	F1.2/2.8mm DC Lens with No Focus Shift, 1/3" CS Mount
47148 / F0412NDDC-NFS	F1.2/4mm DC Lens with No Focus Shift, 1/3" CS Mount
47149 / F0612NDDC-NFS	F1.2/6mm DC Lens with No Focus Shift, 1/3" CS Mount

(Accessories continued)

47144 / B18Z06MA1	F2,5/18-108mm Macro Zoom Lens, 2/3", C Mount
43252 / G04Z03M-NFS	F1.2/4.5-12.5mm Lens, Var. Focal Length with No Focus Shift, 1/2", CS Mount
45246 / YV5X2.7R4B-SA2L	F1.3/2.7-13.5mm DC Varifocal Lens, No Focus Shift, 1/3" CS Mount
43237 / F03Z04NDDC-NFS	F1.4/2.8-11mm DC Lens/var. Focal Length No Focus Shift, 1/3" CS Mount
43238 / F03Z2.710DC-NFS	F1.0/3-8mm DC Lens/var. Focal Length with No Focus Shift, 1/3" CS Mount
43251 / G04Z03NDDC-NFS	F1.2/4.5-12.5mm DC Lens/variable Focal Length, No Focus Shift, 1/2" CS Mount
45251 / YV10X5R4A-SA2L	F1,6/5-50mm DC Varifocal Lens with No Focus Shift, 1/3" CS Mount
43249 / F07Z07NDDC-NFS	F1.3/7.5-50mm DC Lens/var. Focal Length with No Focus Shift, 1/3" CS Mount
43239 / A10Z04NDDC-NFS	F1.4/10-40mm DC Lens/var. Focal Length with No Focus Shift, 1/2" C Mount
43106 / C/CS RING-AL	Adapter Ring, C/CS Mount, Aluminium anodized



Maße/Dimensions: mm

Sicherheitssysteme Uebachs GmbH
 Your Contact: Fridtjof Uebachs
 Königsallee 22 · 40212 Düsseldorf
 Phone 0211-210744-0 · Fax 0211-210744-29
 technik@uebachs.de · www.uebachs.de

