

# Video Security



## CG-321CA1V

1/3" B/W Camera, DSP,  
12VDC/24VAC, 580TVL

Art-No. 92468



Lens is not included with the camera

## Features

Resolution of 580 Horizontal Lines  
Automatic Gain Control (AGC)  
High Sensitivity of 0.1Lux (at F1.2)  
Back Light Compensation (BLC)  
Electronic Shutter Control (ESC)  
Automatic AI/DC Control Selection (Depend on Lens)

Horizontal and Vertical Aperture Correction (APC)  
Integrated Eclipse and Flickerless Function  
Selectable Gamma Correction  
Internal and Line Lock Synchronization  
CS Mount  
Supply Voltage: 12VDC/24VAC

## Specifications

Video standard	CCIR
System	black/white
Sensor size	1/3"
Imager	CCD, Sony Super HAD Interline Transfer CCD
Active picture elements	Approx. 440,000, (H) 752 x (V) 582
Signal processing	Digital (DSP)
Synchronization	Internal/AC line lock
Signal-to-noise ratio	48dB (AGC OFF)
Gamma correction	0.6/1.0
Sensitivity (at 50% video signal)	0,1Lux, at F1.2 (VT measurement result)
Light control range (ESC + AGC)	9,000:1
Light control range (AI + AGC)	1,000,000:1 (Iris range F1.4 ~ F300)
Electronic shutter control (ESC)	300:1
Integration rate	no
Automatic gain control (AGC)	30dB (On/Off switchable)
Backlight compensation	BLC, eclipser, ON/OFF switchable
Aperture Correction (APC)	Horizontal and vertical
Flickerless function	On/Off switchable

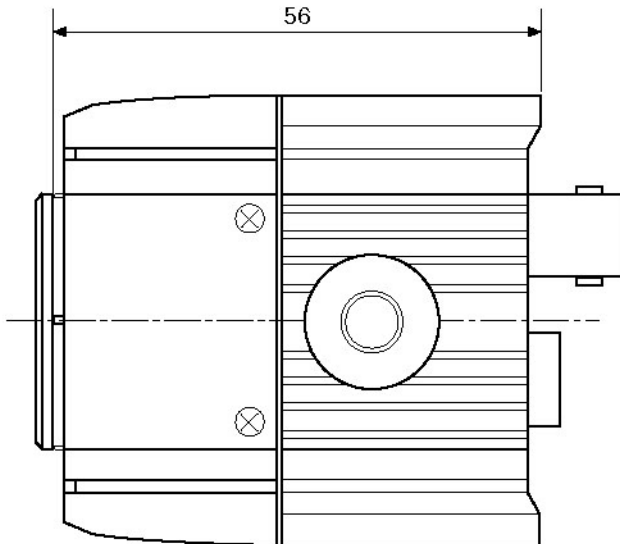
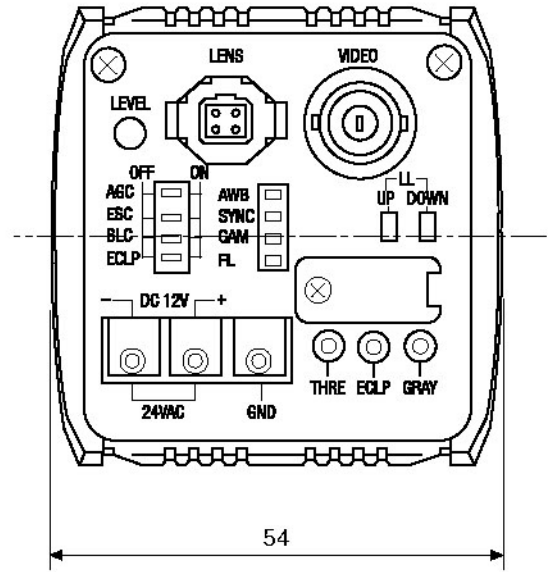
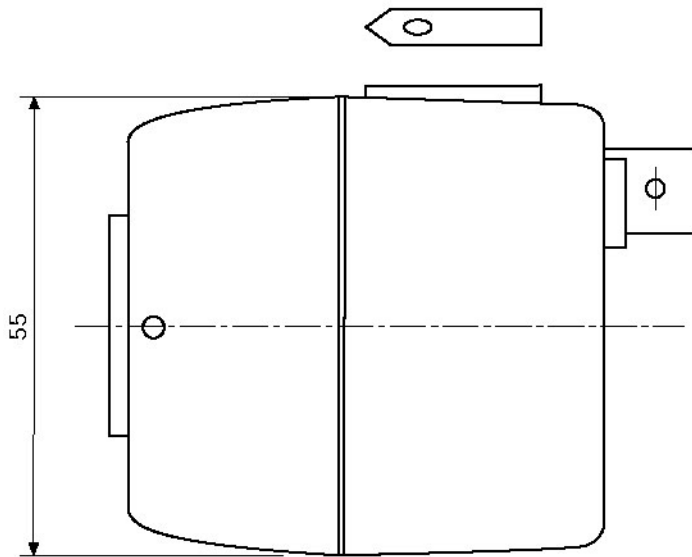
**CG-321CA1V**

(Specifications continued)

<b>Eclipser function</b>	On/Off, Treshold, Eclipse and Grey level
<b>IR cut filter</b>	no
<b>Lens mount</b>	CS
<b>Usable iris controls</b>	Manual iris, Auto-Iris/DC controlled
<b>Auto-Iris voltage supply</b>	9VDC (40mA max.)
<b>External adjustments</b>	Level control for DC iris lens Flange focus Dip switches for: Eclipser function, AGC, BLC, ESC, Flickerless ON/OFF White balance/Hold Synchronisation, Gamma Correction Phase adjustment
<b>Video outputs (type)</b>	VBS
<b>Video outputs</b>	1Vp-p, VBS, 750hm
<b>Internal adjustments</b>	None
<b>External connections</b>	DC Iris control (4-pin), Video (BNC), Power input
<b>Serial interfaces</b>	no
<b>Camera mount</b>	1/4" - 20 UNC thread on top and bottom
<b>Supply voltage</b>	12VDC, 24VAC
<b>Power consumption</b>	approx. 4.6watts (at 12VDC)
<b>Temperature range (Operation)</b>	-10° ~ +50°C
<b>Dimensions (HxWxD)</b>	See drawing
<b>Colour</b>	similar to RAL7048
<b>Weight</b>	200g
<b>Parts supplied</b>	4-pin plug, Allan key, Manual on CD ROM

**Accessories**

<b>77773 / VT-PS12DCDT1</b>	PSU 12VDC/1.0A, Regulated, Desktop Version, 1.8m Cables each w. open ends
<b>70769 / WD-22</b>	Wall Mount Bracket with Ball Joint, 1/4" Camera Fixing Screw, Beige Grey
<b>70448 / VT-PS12DC-6</b>	Plug-in Power Supply Unit 100-240VAC 12VDC (1.0Amp), Regulated, w. open Ends
<b>43106 / C/CS RING-AL</b>	Adapter Ring, C/CS Mount, Aluminium anodized



Maße/Dimensions: mm

Sicherheitssysteme Uebachs GmbH  
 Your Contact: Fridtjof Uebachs  
 Königsallee 22 · 40212 Düsseldorf  
 Phone 0211-210744-0 · Fax 0211-210744-29  
 technik@uebachs.de · www.uebachs.de

