

Video Security



VKC-1341A/12-24

1/3" Colour Camera, HighRes 540TVL,
12VDC/24VAC

Art-No. 92078



Lens is not included with the camera

Features

1/3" Super HAD Colour CCD Sensor
Horizontal Resolution of 540 TV Lines
Sensitivity of 0.23Lux at F1.2
Digital Noise Reduction (DNR)
Selectable Gain Control (AGC)
Selectable Backlight Compensation Zones (BLC)

High and Low Speed Shutter Control (MES/ESC/DSS)
On-screen Menu Control / Camera Title Display
Privacy Masking/Mirror Function/Motion Detection
Picture Sharpness and Flickerless Adjustment
Auto Iris and DC Iris Control
C/CS Mount / Supply Voltage 12VDC/24VAC

Specifications

Video standard	CCIR/PAL
System	Colour
Sensor size	1/3"
Imager	CCD, Sony Super HAD Interline Transfer CCD
Active picture elements	approx. 480,000, 795(H) x 596(V)
Synchronization	Line lock or internal
Genlock synchronization	-
Signal-to-noise ratio	50dB (AGC OFF)
Gamma correction	0.45
Sensitivity (at 50% video signal)	0,23Lux, F1.2, AGC Middle, Colour and B&W (VT measurement result at F1.2)
Auto exposure	Automatic/Manual Shutter/AGC/Flickerless
High-speed shutter (ESC)	1/50 ~ 1/120,000sec.
Manual electronic shutter (MES)	1/50 ~ 1/120,000sec.
Low speed shutter (DSS)	OFF, Automatic: 2 ~ 128 Fps.
Integration rate	no
Automatic gain control (AGC)	31dB max., Off/Low/Mid/High selectable
Backlight compensation	BLC, OFF/LOW/MID/HIGH selectable

(Specifications continued)

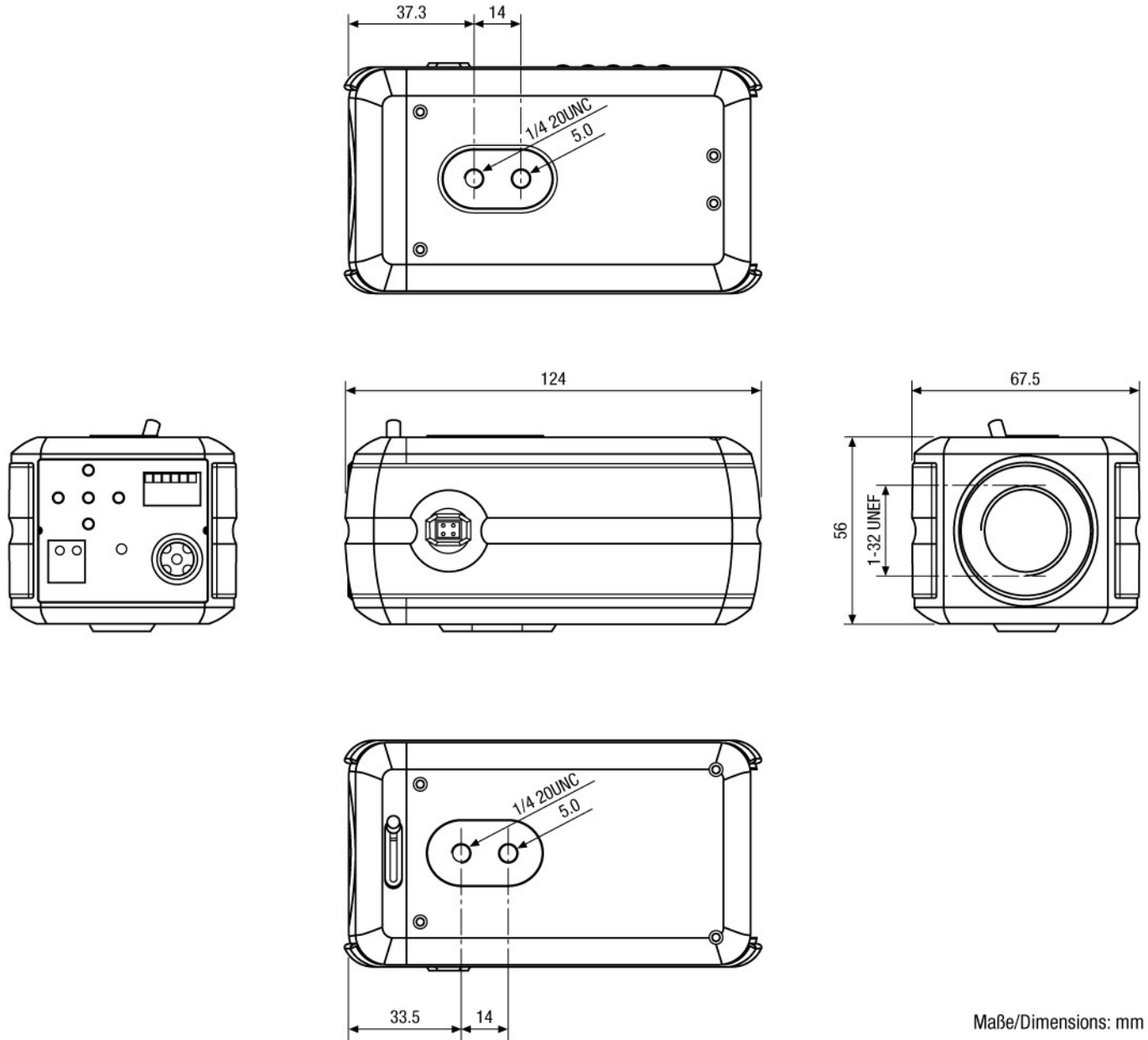
White balance	Automatic (AWB/ATW): 1800K ~ 10500K Manual: R-gain, B-gain, adjustable and lockable
Aperture Correction (APC)	Horizontal and vertical
Flickerless function	1/120sec. On/Off switchable
IR cut filter	no
Switching-over colour/b&w	via menu
Privacy Zone masking	On/Off switchable
OSD function control	Colour/B&W, AGC, DNR, Mirror (hor.), BLC, White balance, AI/DC Iris, Sharpness, ESC/MES, Shutter speed, Flickerless, Privacy zones ON/OFF, Camera ID, Default/Presets
Menu driven set-up	On/Off switchable
Text display	Camera title On/Off switchable
Motion Detection Function	4 areas On/Off switchable
Sharpness correction	0 ~ 31 ON/OFF switchable
Lens mount	C/CS
Usable iris controls	Manual iris, Auto-Iris/DC controlled
Camera ID	Via text display
External adjustments	Menu, Cursor Up/Down/Left/Right, Flange focus
Video outputs (type)	CVBS
Video outputs	1Vp-p, composite, 75ohms, BNC
External connections	Video (BNC), Auto Iris/DC Iris, Power input (2-pin)
Serial interfaces	no
Camera mount	1/4" - 20 UNC thread on top and bottom
Supply voltage	12VDC, 24VAC
Power consumption	3.5watts
Temperature range (Operation)	-10° ~ +50°C
Dimensions (HxWxD)	See drawing
Colour	Body: Pantone 877, Front and back: Pantone 8400C
Weight	approx. 300g
Parts supplied	Camera, C/CS Mount ring, 4-pin lens plug, Manual

Accessories

70448 / VT-PS12DC-6	Plug-in Power Supply Unit 100-240VAC 12VDC (1.0Amp), Regulated, w. open Ends
77773 / VT-PS12DCDT1	PSU 12VDC/1.0A, Regulated, Desktop Version, 1.8m Cables each w. open ends
70769 / WD-22	Wall Mount Bracket with Ball Joint, 1/4" Camera Fixing Screw, Beige Grey
70771 / WD-23	Wall Mount Bracket with Ball Joint, 1/4" Camera Fixing Screw, Pantone 877
47162 / F0212M-NFS	F1.2/2.2mm Fixed Focal Length Lens with No Focus Shift, 1/3" CS Mount
47156 / F0312M-NFS	F1.2/2.8mm Fixed Focal Length Lens with No Focus Shift, 1/3" CS Mount

(Accessories continued)

47157 / F0412M-NFS	F1.2/4mm Fixed Focal Length Lens with No Focus Shift, 1/3" CS Mount
47158 / F0612M-NFS	F1.2/6mm Fixed Focal Length Lens with No Focus Shift, 1/3" CS Mount
47159 / F0812M-NFS	F1.2/8mm Fixed Focal Length Lens with No Focus Shift, 1/3" CS Mount
47161 / F0212NDDC-NFS	F1.2/2.2mm DC Lens with No Focus Shift, 1/3" CS Mount
47147 / F0312NDDC-NFS	F1.2/2.8mm DC Lens with No Focus Shift, 1/3" CS Mount
47148 / F0412NDDC-NFS	F1.2/4mm DC Lens with No Focus Shift, 1/3" CS Mount
47149 / F0612NDDC-NFS	F1.2/6mm DC Lens with No Focus Shift, 1/3" CS Mount
47154 / F0812NDDC-NFS	F1.2/8mm DC Lens with No Focus Shift, 1/3" CS Mount
43252 / G04Z03M-NFS	F1.2/4.5-12.5mm Lens, Var. Focal Length with No Focus Shift, 1/2", CS Mount
45246 / YV5X2.7R4B-SA2L	F1.3/2.7-13.5mm DC Varifocal Lens, No Focus Shift, 1/3" CS Mount
43237 / F03Z04NDDC-NFS	F1.4/2.8-11mm DC Lens/var. Focal Length No Focus Shift, 1/3" CS Mount
43238 / F03Z2.710DC-NFS	F1.0/3-8mm DC Lens/var. Focal Length with No Focus Shift, 1/3" CS Mount
43251 / G04Z03NDDC-NFS	F1.2/4.5-12.5mm DC Lens/variable Focal Length, No Focus Shift, 1/2" CS Mount
45251 / YV10X5R4A-SA2L	F1,6/5-50mm DC Varifocal Lens with No Focus Shift, 1/3" CS Mount
43249 / F07Z07NDDC-NFS	F1.3/7.5-50mm DC Lens/var. Focal Length with No Focus Shift, 1/3" CS Mount
43239 / A10Z04NDDC-NFS	F1.4/10-40mm DC Lens/var. Focal Length with No Focus Shift, 1/2" C Mount



Maße/Dimensions: mm

Sicherheitssysteme Uebachs GmbH
 Your Contact: Fridtjof Uebachs
 Königsallee 22 · 40212 Düsseldorf
 Phone 0211-210744-0 · Fax 0211-210744-29
 technik@uebachs.de · www.uebachs.de

