

# Video Security



## VKC-1347/CM

1/3" Colour Camera with Corner Mount Housing, F2.0/3.7mm Lens, 12VDC, 480TVL

Art-No. 92075



## Features

1/3" Super HAD CCD  
Sensitivity of 0.35Lux (at F1.2)  
Built-in Fixed Iris Lens F2.0/3.7mm  
Digital Signal Processing (DSP)  
Automatic Shutter Control (AES)  
Automatic Gain Control (AGC)

Backlight Compensation (BLC)  
Automatic White Balance (AWB)  
Supply Voltage: 12VDC  
Vandal & Tamper Resistant Housing  
Protection Rating: IP66  
For Wall, Corner and Ceiling Mount / In and Outdoor

## Specifications

Application range	security
System	Colour
Video standard	PAL
Sensor size	1/3"
Imager	Sony Super HAD Interline Transfer CCD, CCD
Active picture elements	approx. 440,000, 752(H) x 582(V)
Synchronization	Internal
Signal-to-noise ratio	48dB
Sensitivity (at 50% video signal)	0,35Lux, at F1.2 (VT measurement result)
Automatic shutter (AES)	1/50 ~ 1/100.000sec.
Integration rate	no
Automatic gain control (AGC)	28dB, ON/OFF switchable
White balance (ATW)	2000 ~ 8000K, Automatic tracking
Backlight compensation	BLC, Center weighted, On/Off switchable
IR cut filter	no
Internal adjustments	AGC, BLC, ON/OFF switchable
Video outputs (type)	CVBS
Video outputs	1Vp-p, composite, 75ohms, BNC

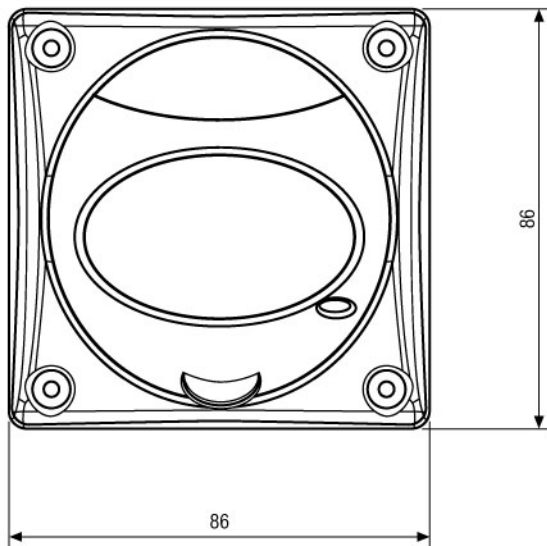
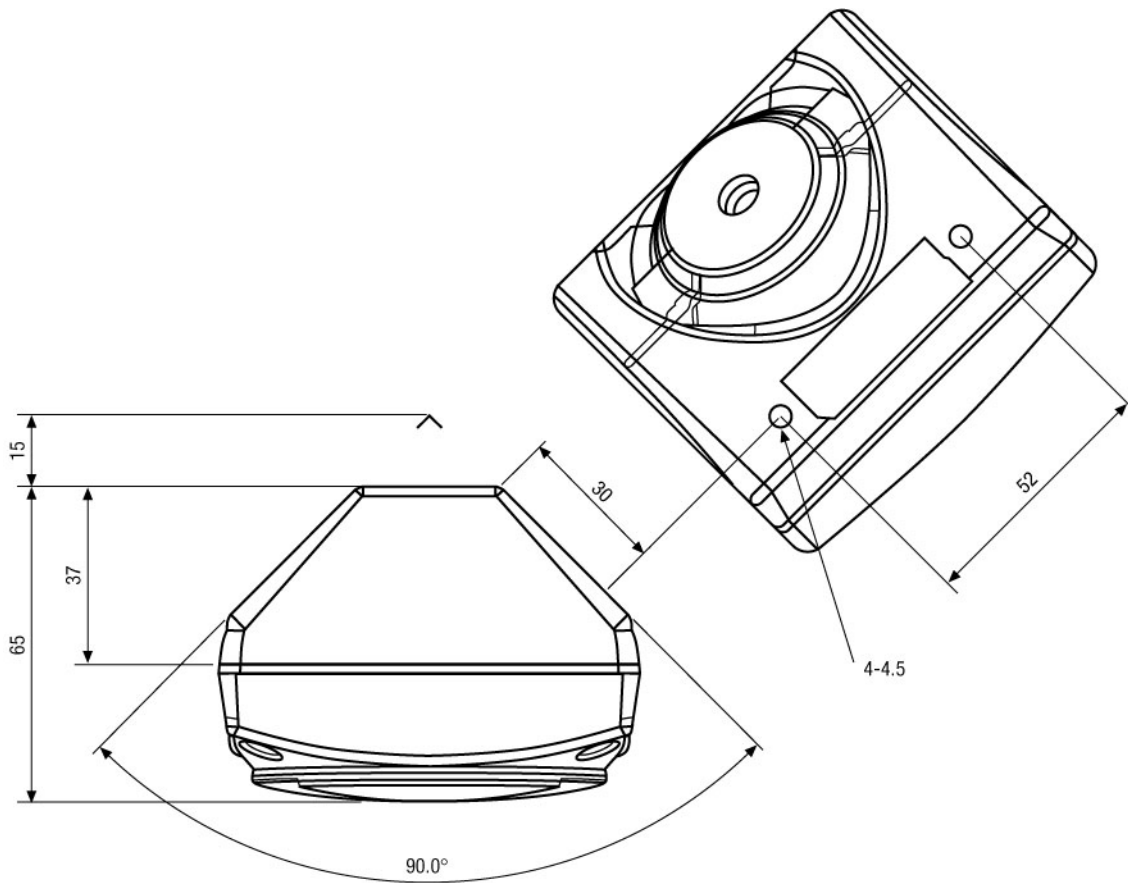
**VKC-1347/CM**

(Specifications continued)

<b>Lens type</b>	fixed focal length
<b>Lens</b>	F2.0/3.7mm with fixed iris
<b>Lens mount</b>	integrated lens
<b>Mount</b>	n/a
<b>Nominal format size</b>	1/3"
<b>Aspherical technology</b>	no
<b>Focal length</b>	3,7mm
<b>Horizontal angle of view</b>	68°
<b>Iris control</b>	no
<b>Serial interfaces</b>	no
<b>External connections</b>	Wiring for video and voltage supply made, accessible from outside (1.5m long, Video: BNC jack 12V input: for DC plug 2.1/5.5mm)
<b>Protection rating</b>	n/a, IP66
<b>Supply voltage</b>	12VDC, (9 ~ 18VDC, 12VDC +/-20% recommended)
<b>Power consumption</b>	2.0watts max.
<b>Temperature range (Operation)</b>	-10° ~ +50°C
<b>Housing material</b>	plastic
<b>Housing</b>	indoor housing, Aluminium, Poly carbonate
<b>Integrated wall mount</b>	no
<b>Hidden cable management</b>	no
<b>Sunshield</b>	no
<b>Window heater</b>	no
<b>Clear Shield</b>	no
<b>Colour (housing)</b>	Pantone Cool Gray 1C
<b>Dimensions (HxWxD)</b>	See drawing
<b>Weight</b>	approx. 500g
<b>Parts supplied</b>	Camera, Tamper resistant Torx key, Mounting screw set, Manual

**Accessories**

<b>70447 / VT-PS12DC-5</b>	Plug-in Power Supply Unit 100-240VAC 12VDC (1.0Amp), Regulated, with DC Plug
<b>77773 / VT-PS12DCDT1</b>	PSU 12VDC/1.0A, Regulated, Desktop Version, 1.8m Cables each w. open ends



Maße/Dimensions: mm

Sicherheitssysteme Uebachs GmbH  
 Your Contact: Fridtjof Uebachs  
 Königsallee 22 · 40212 Düsseldorf  
 Phone 0211-210744-0 · Fax 0211-210744-29  
 technik@uebachs.de · www.uebachs.de

