

Video Security



VK-1322/SMD

1/3" B/W Camera with 3.7mm Lens in Smoke Detector Housing, 12VDC, 600TVL

Art-No. 91988



Features

For Wall and Drop Ceiling Mount
Resolution of 600 Horizontal Lines
Built-in Pinhole Lens F2.0/3.7mm
Electronic Shutter Control (ESC)

Automatic Gain Control (AGC)
Internal Synchronization
Supply Voltage: 12VDC
Easy Installation

Specifications

Application range	security
System	black/white
Video standard	CCIR
Sensor size	1/3"
Imager	Sony Super HAD Interline Transfer CCD, CCD
Picture elements	approx. 440,000 752(H) x 582(V)
Synchronization	Internal
Signal-to-noise ratio	48dB
Gamma correction	0.45
Sensitivity (at 50% video signal)	0,23Lux, at F1.2 (VT measurement result), 0.65Lux at F2.0
Automatic shutter control (AES)	1/50 ~ 1/100,000sec.
Integration rate	no
Automatic gain control (AGC)	Supplied
Backlight compensation	no
IR cut filter	no
Video outputs (type)	VBS
Video outputs	1Vp-p, VBS, 750hm
Lens type	fixed focal length
Lens	F2.0/3.7mm Pinhole

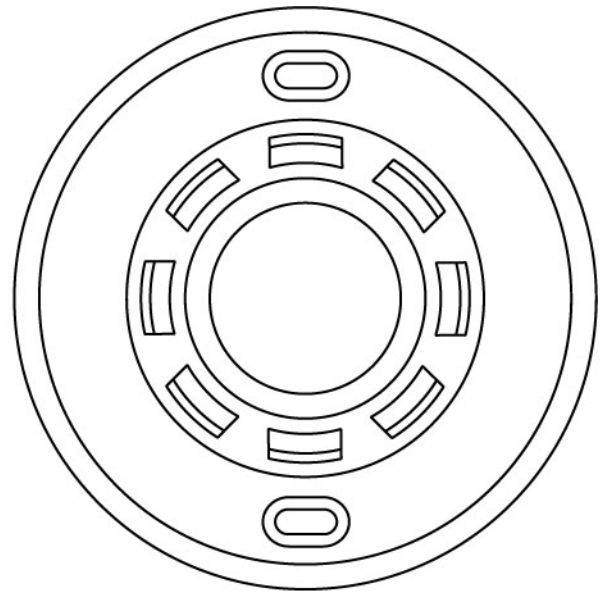
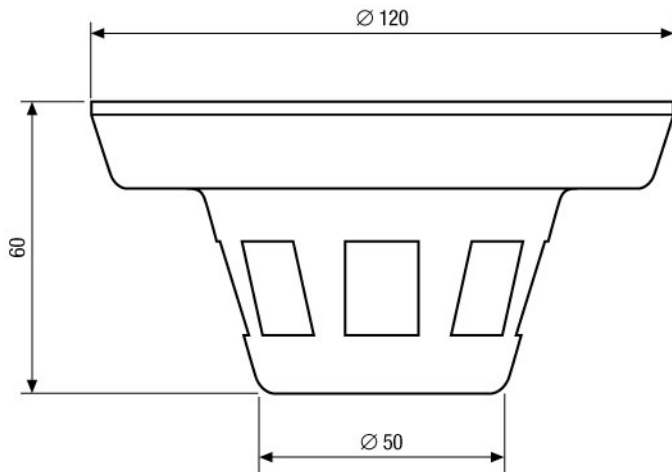
VK-1322/SMD

(Specifications continued)

Lens mount	integrated lens
Mount	n/a
Nominal format size	1/3"
Aspherical technology	no
Focal length	3,7mm
Horizontal angle of view	68°
Iris control	n/a
Serial interfaces	no
External connections	Video (BNC), 12VDC (DC plug)
Mounting	Wall and drop ceiling mount
Protection rating	n/a
Supply voltage	12VDC, (+/-10%)
Power consumption	1.4watts
Tilt range	0° ~ 35° (ceiling as reference)
Temperature range (Operation)	-10° ~ +50°C
Housing material	plastic
Housing	indoor housing
Integrated wall mount	no
Hidden cable management	yes
Sunshield	no
Window heater	no
Clear Shield	no
Colour (housing)	light grey
Dimensions (DxH)	See drawing
Weight	110g

Accessories

70447 / VT-PS12DC-5	Plug-in Power Supply Unit 100-240VAC 12VDC (1.0Amp), Regulated, with DC Plug
77773 / VT-PS12DCDT1	PSU 12VDC/1.0A, Regulated, Desktop Version, 1.8m Cables each w. open ends



Maße/Dimensions: mm

Sicherheitssysteme Uebachs GmbH
Your Contact: Fridtjof Uebachs
Königsallee 22 · 40212 Düsseldorf
Phone 0211-210744-0 · Fax 0211-210744-29
technik@uebachs.de · www.uebachs.de

