

# Video Security



## VKC-1332/SMD

1/3" Colour Camera with 3.6mm Lens  
in Smoke Detector Housing, 12VDC, 470TVL

Art-No. 91987



## Features

For Wall and Drop Ceiling Mount  
Resolution of 470 Horizontal Lines  
Built-in Pinhole Lens F2.0/3.6mm  
Automatic Shutter Control (AES)

Internal Synchronization  
Supply Voltage: 12 VDC  
Easy Installation

## Specifications

Application range	security
System	Colour
Video standard	PAL
Sensor size	1/3"
Imager	1/3" Interline transfer CCD, CCD
Picture elements	approx. 440,000 752(H) x 582(V)
Synchronization	Internal
Signal-to-noise ratio	46dB (AGC OFF)
Gamma correction	0.45
Sensitivity (at 50% video signal)	0,5Lux, at F1.2 (VT measurement result), 1.4Lux at F2.0
Automatic shutter control (AES)	1/50 ~ 1/100,000sec.
Integration rate	no
Automatic white balance (AWB)	2000 ~ 10000K
Backlight compensation	no
IR cut filter	no
Video outputs (type)	CVBS
Video outputs	1Vp-p, CVBS, 75ohms
Lens type	fixed focal length
Lens	F2.0/3.6mm
Lens mount	integrated lens

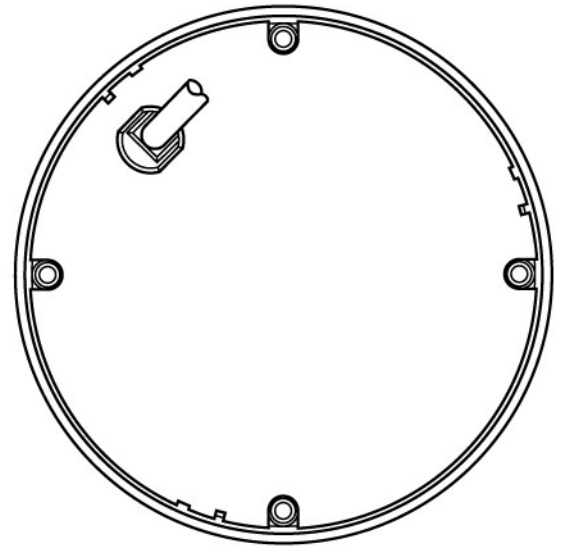
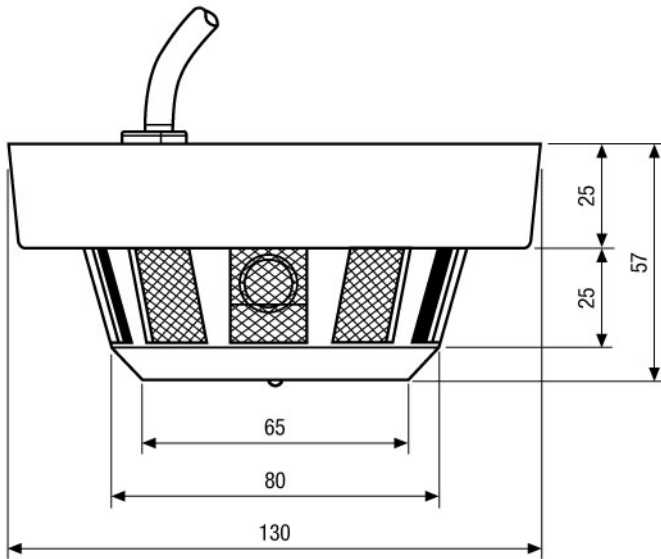
## VKC-1332/SMD

(Specifications continued)

<b>Mount</b>	n/a
<b>Nominal format size</b>	1/3"
<b>Aspherical technology</b>	no
<b>Focal length</b>	3,6mm
<b>Horizontal angle of view</b>	69°
<b>Iris control</b>	no
<b>Serial interfaces</b>	no
<b>External connections</b>	Video (BNC), 12VDC (DC plug)
<b>Mounting</b>	Wall and drop ceiling mount
<b>Protection rating</b>	n/a
<b>Supply voltage</b>	12VDC, (+/-10%)
<b>Power consumption</b>	1.2watts
<b>Temperature range (Operation)</b>	-10° ~ +50°C
<b>Housing material</b>	plastic
<b>Housing</b>	indoor housing
<b>Integrated wall mount</b>	no
<b>Hidden cable management</b>	yes
<b>Sunshield</b>	no
<b>Window heater</b>	no
<b>Clear Shield</b>	no
<b>Colour (housing)</b>	white
<b>Dimensions (DxH)</b>	See drawing
<b>Weight</b>	140g

## Accessories

<b>70447 / VT-PS12DC-5</b>	Plug-in Power Supply Unit 100-240VAC 12VDC (1.0Amp), Regulated, with DC Plug
<b>77773 / VT-PS12DCDT1</b>	PSU 12VDC/1.0A, Regulated, Desktop Version, 1.8m Cables each w. open ends



Maße/Dimensions: mm

Sicherheitssysteme Uebachs GmbH  
 Your Contact: Fridtjof Uebachs  
 Königsallee 22 · 40212 Düsseldorf  
 Phone 0211-210744-0 · Fax 0211-210744-29  
 technik@uebachs.de · www.uebachs.de

