

Video Security



VKC-1328

1/3" Colour Camera,
DSP, 12VDC, 480TVL

Art-No. 91963



Lens is not included with the camera

Features

Resolution of 480 Horizontal Lines
Digital Signal Processing (DSP)
Back Light Compensation (BLC)
Electronic Shutter Control (ESC)
Aperture Control (APC)

Internal Synchronization
Automatic White Balance
Mirror Function
CS Mount
Power supply: 12VDC

Specifications

Video standard	CCIR/PAL
System	Colour
Sensor size	1/3"
Imager	CCD, Sony Super HAD Interline Transfer CCD
Active picture elements	approx. 440,000, 752(H) x 582(V)
Signal processing	Digital (DSP)
Synchronization	Internal
Gamma correction	0.45
Sensitivity (at 50% video signal)	0,6Lux, at F1.2 (VT measurement result)
Electronic shutter control (ESC)	1/50 ~ 1/100,000sec.
Integration rate	no
Automatic gain control (AGC)	On/Off switchable
Backlight compensation	BLC
White balance (AWB)	Automatic
Aperture Correction (APC)	Horizontal and vertical
IR cut filter	no
Mirror function	On/Off switchable
Lens mount	C/CS
External adjustments	DC-iris level control, Flange focus

VKC-1328

(Specifications continued)

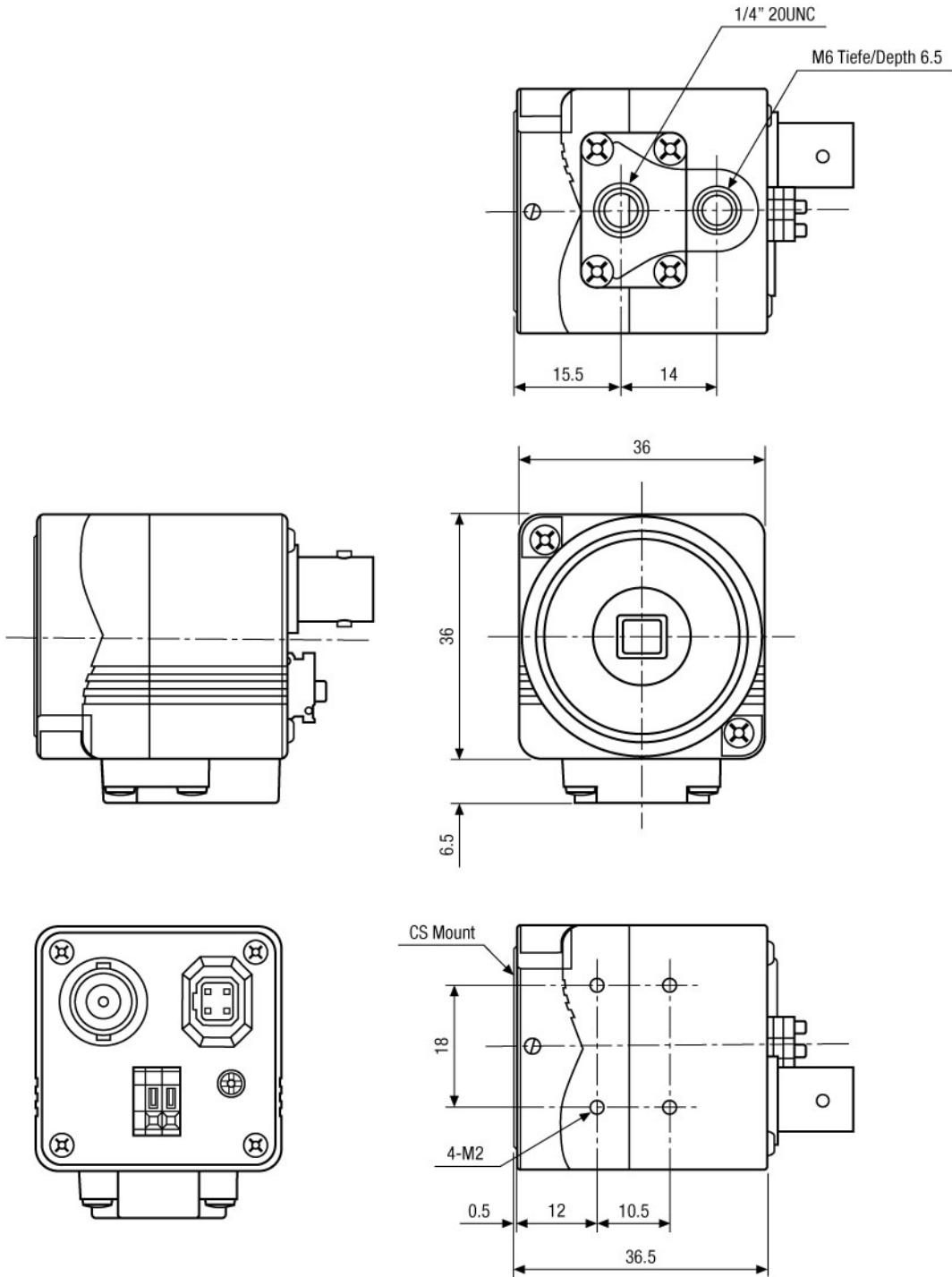
Video outputs (type)	CVBS
Video outputs	1Vp-p, composite, 75ohms, BNC
Internal adjustments	Electronic shutter ON/OFF, Mirror mode ON/OFF, Backlight compensation ON/OFF
External connections	DC-Iris (4 pin), Video (BNC), 12VDC input (screw connection),
Serial interfaces	no
Camera mount	M6 und 1/4" - 20 UNC thread. Mounting plate can be fixed on top or bottom
Supply voltage	12VDC, (+/-10%)
Power consumption	<3watts
Temperature range (Operation)	-10°C ~ +40°C
Dimensions (HxWxD)	See drawing
Colour	Light grey
Weight	approx. 100g
Parts supplied	4-pin lens plug, C/CS mount ring, manual

Accessories

70448 / VT-PS12DC-6	Plug-in Power Supply Unit 100-240VAC 12VDC (1.0Amp), Regulated, w. open Ends
79364 / NE-112	Power Supply Unit 230VAC/12VDC (600mA) for VHM Housing, Regulated
70769 / WD-22	Wall Mount Bracket with Ball Joint, 1/4" Camera Fixing Screw, Beige Grey
77773 / VT-PS12DCDT1	PSU 12VDC/1.0A, Regulated, Desktop Version, 1.8m Cables each w. open ends

Product Information

Lens is not included with the camera



Maße/Dimensions: mm

Sicherheitssysteme Uebachs GmbH
 Your Contact: Fridtjof Uebachs
 Königsallee 22 · 40212 Düsseldorf
 Phone 0211-210744-0 · Fax 0211-210744-29
 technik@uebachs.de · www.uebachs.de

