

# Video Security



**VK-1316S/230V**  
1/3" B/W Camera  
230VAC, 570TVL  
**Art-No. 91933**



Lens is not included with the camera

## Features

**Horizontal Resolution of 570 TV Lines**  
**High Sensitivity**  
**Automatic Gain Control (AGC)**  
**Automatic Shutter Control (AES)**  
**Aperture Control (APC)**

**Backlight Compensation (BLC)**  
**Internal Synchronization**  
**Auto Iris and DC Iris Control**  
**C/CS Mount**  
**Supply Voltage: 230VAC**

## Specifications

<b>Video standard</b>	CCIR
<b>System</b>	black/white
<b>Sensor size</b>	1/3"
<b>Imager</b>	CCD, Sony Super HAD Interline Transfer CCD
<b>Active picture elements</b>	Approx. 440,000, (H) 752 x (V) 582
<b>Synchronization</b>	AC line lock, phase adjustment via remote control, V Sync
<b>Signal-to-noise ratio</b>	46db (AGC OFF)
<b>Gamma correction</b>	0.45
<b>Sensitivity (at 50% video signal)</b>	0,1Lux, at F1.2 (VT measurement result)
<b>Automatic shutter control (AES)</b>	1/50 ~ 100,000sec. (On/Off switchable)
<b>Integration rate</b>	no
<b>Automatic gain control (AGC)</b>	On/Off switchable
<b>Backlight compensation</b>	BLC, Provided
<b>Aperture Correction (APC)</b>	Horizontal and vertical
<b>IR cut filter</b>	no
<b>Lens mount</b>	C/CS
<b>Usable iris controls</b>	Manual iris, Auto-Iris/DC controlled iris
<b>Auto-Iris voltage supply</b>	9VDC (40mA max.)

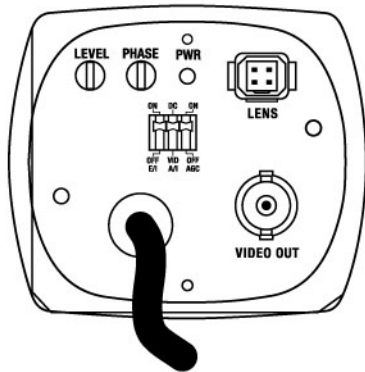
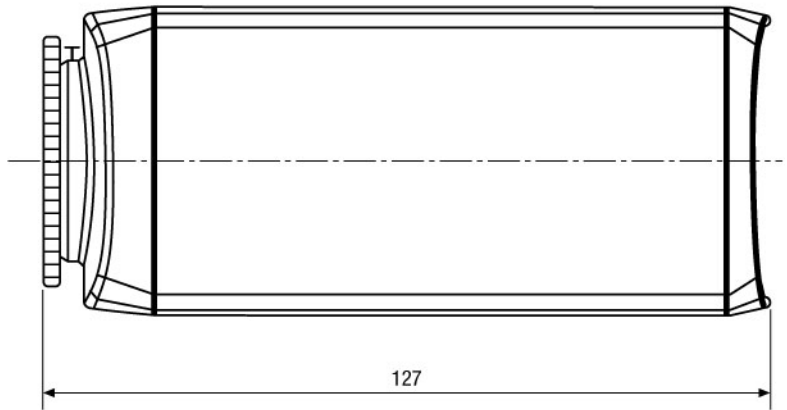
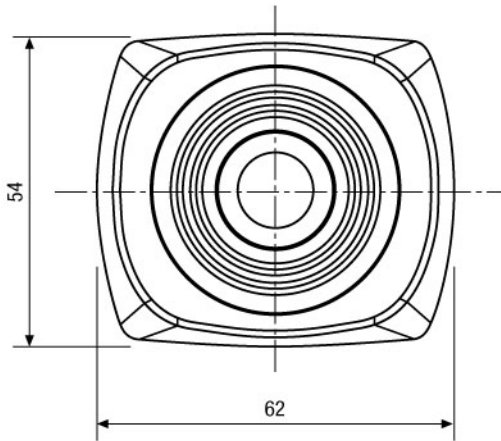
## VK-1316S/230V

(Specifications continued)

<b>External adjustments</b>	Shutter ON/OFF, AGC ON/OFF, AI/DC iris control, Flange focus Level for DC controlled lenses, V-phase adjustment
<b>Video outputs (type)</b>	VBS
<b>Video outputs</b>	1Vp-p, VBS, 750hm
<b>External connections</b>	Video (BNC), Auto-Iris/DC iris (4-pin), Power cord
<b>Serial interfaces</b>	no
<b>Camera mount</b>	1/4" - 20 UNC thread on top and bottom
<b>Supply voltage</b>	230VAC
<b>Power consumption</b>	5W
<b>Temperature range (Operation)</b>	-10° ~ +50°C
<b>Dimensions (HxWxD)</b>	See drawing
<b>Colour</b>	Body: Pantone 877, Front and back: Pantone 8400C
<b>Weight</b>	500g
<b>Parts supplied</b>	Camera, C/CS Mount ring, 4-pin lens plug, Manual

## Accessories

<b>70771 / WD-23</b>	Wall Mount Bracket with Ball Joint, 1/4" Camera Fixing Screw, Pantone 877
<b>70769 / WD-22</b>	Wall Mount Bracket with Ball Joint, 1/4" Camera Fixing Screw, Beige Grey
<b>70688 / WD-18</b>	Wall Mount with Ball Joint, 1/4" Camera Fixing Screw, Beige Grey



Maße/Dimensions: mm

Sicherheitssysteme Uebachs GmbH  
 Your Contact: Fridtjof Uebachs  
 Königsallee 22 · 40212 Düsseldorf  
 Phone 0211-210744-0 · Fax 0211-210744-29  
 technik@uebachs.de · www.uebachs.de

