

Video Security



VK-1315S/230V
1/3" B/W Camera
230VAC, 380TVL
Art-No. 91929



Lens is not included with the camera

Features

Horizontal Resolution of 380 TV Lines
High Sensitivity
Automatic Gain Control (AGC)
Automatic Shutter Control (AES)
Aperture Control (APC)

Backlight Compensation (BLC)
Internal Synchronization
Auto Iris and DC Iris Control
C/CS Mount
Supply Voltage: 230VAC

Specifications

Video standard	CCIR
System	black/white
Sensor size	1/3"
Imager	CCD, Sony Super HAD Interline Transfer CCD
Active picture elements	approx. 290,000, 500(H) x 582(V)
Signal processing	Digital (DSP)
Synchronization	AC line lock, phase adjustment via remote control, V Sync
Signal-to-noise ratio	46db (AGC OFF)
Gamma correction	0.45
Sensitivity (at 50% video signal)	0,23Lux, at F1.2 (VT measurement result)
Automatic shutter control (AES)	1/50 ~ 100,000sec. (On/Off switchable)
Integration rate	no
Automatic gain control (AGC)	On/Off switchable
Backlight compensation	BLC, Provided
Aperture Correction (APC)	Horizontal and vertical
IR cut filter	no
Lens mount	C/CS
Usable iris controls	Manual iris, Auto-Iris/DC controlled iris
Auto-Iris voltage supply	9VDC (40mA max.)

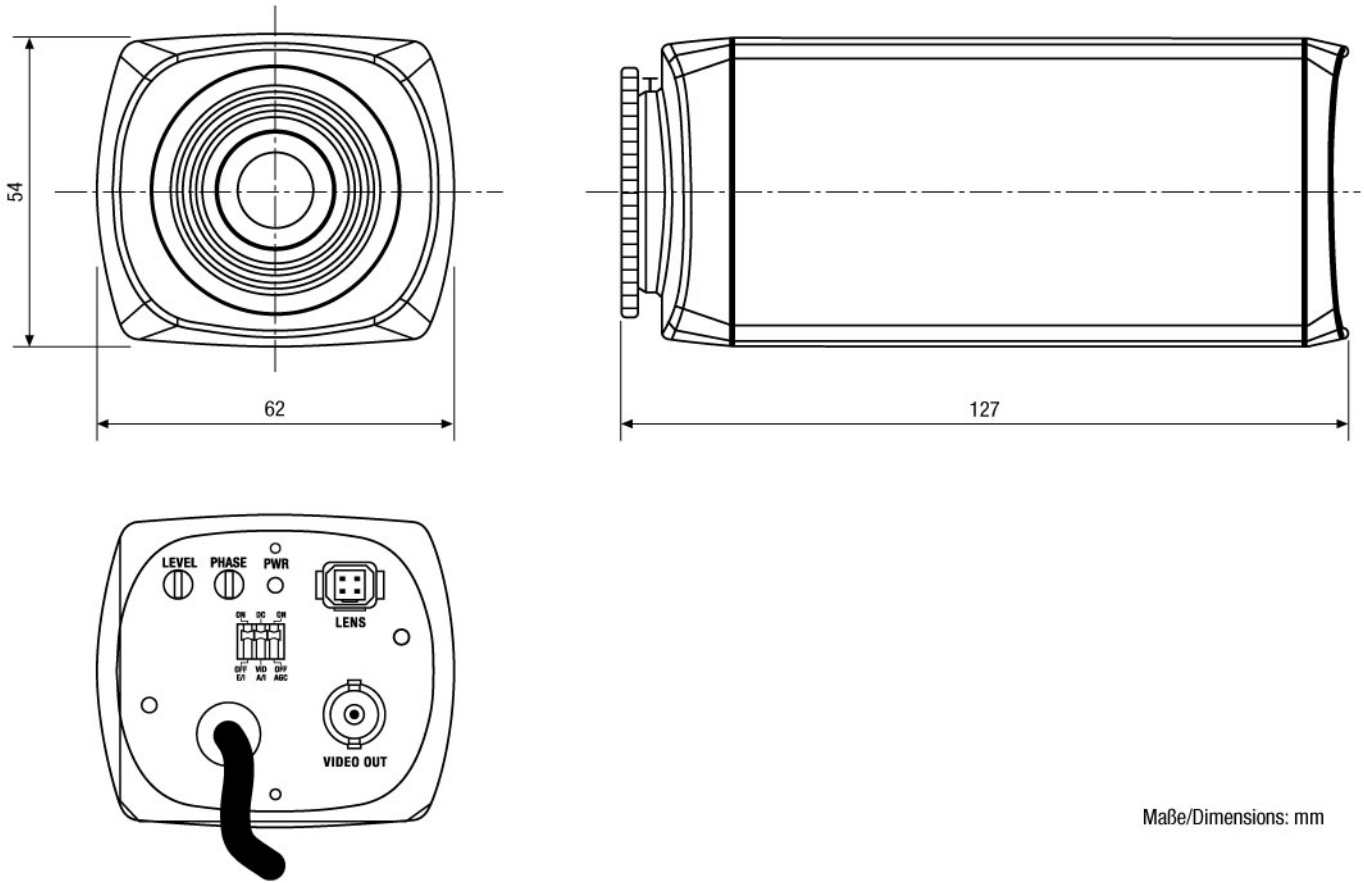
VK-1315S/230V

(Specifications continued)

External adjustments	Shutter ON/OFF, AGC ON/OFF, AI/DC iris control, Flange focus Level for DC controlled lenses, V-phase adjustment
Video outputs (type)	VBS
Video outputs	1Vp-p, VBS, 750hm
External connections	Video (BNC), Auto-Iris/DC iris (4-pin), Power cord
Serial interfaces	no
Camera mount	1/4" - 20 UNC thread on top and bottom
Supply voltage	230VAC, (+/-10%), 50Hz
Power consumption	5W
Temperature range (Operation)	-10°C ~ +40°C
Dimensions (HxWxD)	See drawing
Colour	Body: Pantone 877, Front and back: Pantone 8400C
Weight	500g
Parts supplied	Camera, C/CS Mount ring, 4-pin lens plug, Manual

Accessories

70771 / WD-23	Wall Mount Bracket with Ball Joint, 1/4" Camera Fixing Screw, Pantone 877
70769 / WD-22	Wall Mount Bracket with Ball Joint, 1/4" Camera Fixing Screw, Beige Grey
70688 / WD-18	Wall Mount with Ball Joint, 1/4" Camera Fixing Screw, Beige Grey



Maße/Dimensions: mm

Sicherheitssysteme Uebachs GmbH
 Your Contact: Fridtjof Uebachs
 Königsallee 22 · 40212 Düsseldorf
 Phone 0211-210744-0 · Fax 0211-210744-29
 technik@uebachs.de · www.uebachs.de

