

Video Security



VK-1315S/12V
1/3" B/W Camera
12VDC, 380TVL
Art-No. 91927



Lens is not included with the camera

Features

Horizontal Resolution of 380 TV Lines
High Sensitivity
Automatic Gain Control (AGC)
Automatic Shutter Control (AES)
Aperture Control (APC)

Backlight Compensation (BLC)
Internal Synchronization
Auto Iris and DC Iris Control
C/CS Mount
Supply Voltage: 12VDC

Specifications

Video standard	CCIR
System	black/white
Sensor size	1/3"
Imager	CCD, Sony Super HAD Interline Transfer CCD
Active picture elements	approx. 290,000, 500(H) x 582(V)
Signal processing	Digital (DSP)
Synchronization	Internal
Signal-to-noise ratio	46db (AGC OFF)
Gamma correction	0.45
Sensitivity (at 50% video signal)	0,23Lux, at F1.2 (VT measurement result)
Automatic shutter control (AES)	1/50 ~ 100,000sec. (On/Off switchable)
Integration rate	no
Automatic gain control (AGC)	On/Off switchable
Backlight compensation	BLC
Aperture Correction (APC)	Horizontal and vertical
IR cut filter	no

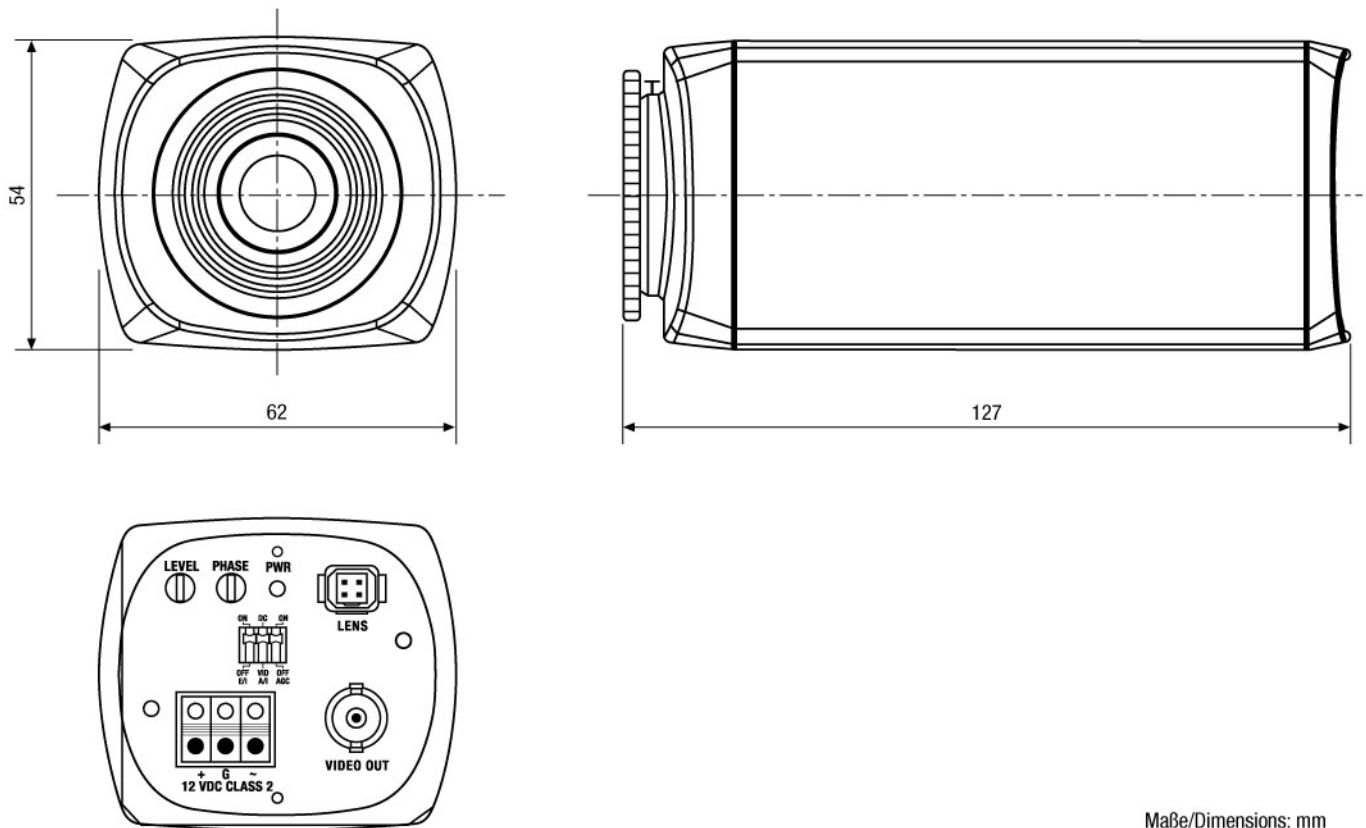
VK-1315S/12V

(Specifications continued)

Set-up menu	Sync. select, Phase control, Chroma level, Brightness, Contour, Chroma phase, Camera ID, AGC select, Shutter speed, Backlight compensation, White balance selection and control Highlight inverter selection, Electronic sensitivity control ON/OFF, Level for DC-Iris
Lens mount	C/CS
Usable iris controls	Manual iris, Auto-Iris/DC controlled iris
Auto-Iris voltage supply	9VDC (40mA max.)
External adjustments	Shutter ON/OFF, AGC ON/OFF, AI/DC iris control, Flange focus, Level for DC controlled lenses
Video outputs (type)	VBS
Video outputs	1Vp-p, VBS, 750hm
External connections	Video (BNC), Auto-Iris/DC iris (4-pin), Power input (3-pin)
Serial interfaces	no
Camera mount	1/4" - 20 UNC thread on top and bottom
Supply voltage	12VDC, (+/-20%)
Power consumption	4watts
Temperature range (Operation)	-10° ~ +50°C
Dimensions (HxWxD)	See drawing
Colour	Body: Pantone 877, Front and back: Pantone 8400C
Weight	225g
Parts supplied	Camera, C/CS Mount ring, 4-pin lens plug, Manual

Accessories

70448 / VT-PS12DC-6	Plug-in Power Supply Unit 100-240VAC 12VDC (1.0Amp), Regulated, w. open Ends
77773 / VT-PS12DCDT1	PSU 12VDC/1.0A, Regulated, Desktop Version, 1.8m Cables each w. open ends
70688 / WD-18	Wall Mount with Ball Joint, 1/4" Camera Fixing Screw, Beige Grey
70769 / WD-22	Wall Mount Bracket with Ball Joint, 1/4" Camera Fixing Screw, Beige Grey
70771 / WD-23	Wall Mount Bracket with Ball Joint, 1/4" Camera Fixing Screw, Pantone 877
70697 / WD-21/RAL9006	Wall Mount Bracket with Ball Joint, 1/4" Camera Fixing Screw, RAL9006



Maße/Dimensions: mm

Sicherheitssysteme Uebachs GmbH
 Your Contact: Fridtjof Uebachs
 Königsallee 22 · 40212 Düsseldorf
 Phone 0211-210744-0 · Fax 0211-210744-29
 technik@uebachs.de · www.uebachs.de

